

design **FLAMINIA DESIGN TEAM**

33 Euro

Under-counter basin

• WITH OVERFLOW • NOT GLAZED EXTERIOR

Technical accessories: Chrome siphon (SIFL/CR) - Telescopic chrome siphon (SIFL066)
 Stop & Go drain (PLSG)
 CERAMIC Stop & Go drain (PLCE)

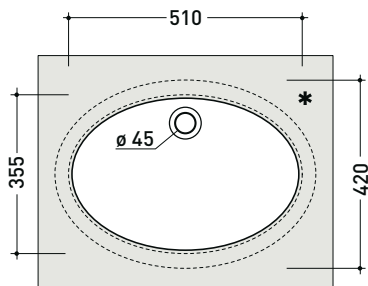


Package dim.

Weight 11 kg

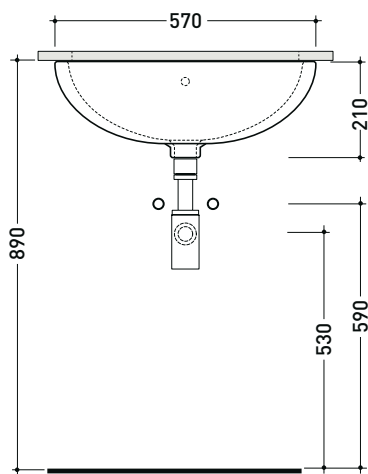
Pz. Pallet n° 27

CE UNI EN 14688 - CL20 Dop-No14688

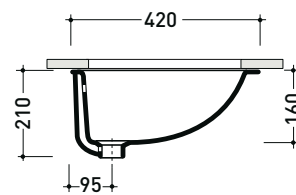


* è consigliato utilizzare la dima di taglio
 is recommended use cutting template

vista zenitale / zenital view



vista frontale / frontal view



sezione longitudinale / section

sizes in mm

Please consider a 2% tolerance on indicated measurements