

LK119G

Back to wall wc cm 51 with **goclean** system with S/P trap
(drainage connectors art. LK1012 included)

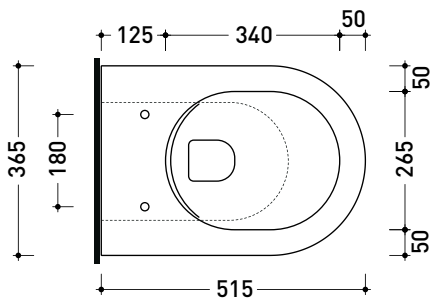
Complements: Wood/polyester seat&cover (5051CW01)
Soft-closing thermosetting wrapping seat&cover (LKCW07 - 5051CW03)
SLIM soft-closing thermosetting seat&cover (LKCW09 - LKCW10)
Niagara monoblock cistern (TR38)
Line accessories: TWO - HOOP - FOLD

Package dim. - | Weight 28,3 kg | Pz. Pallet n° 15

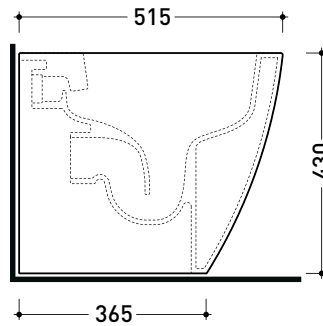
CE UNI EN 997 Dop-No997



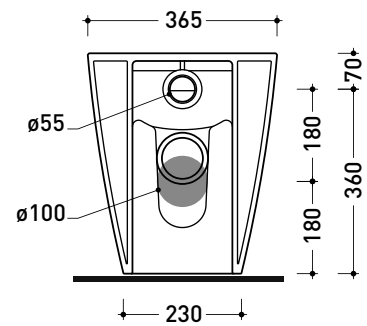
FLAMINIA does not recommend combining this toilet model with rapid-flow/flushometer systems or traditional high tanks



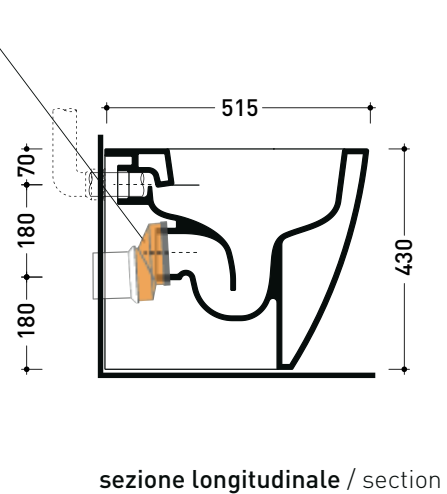
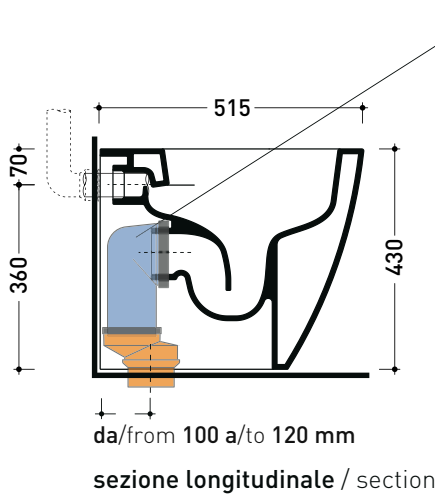
vista zenitale / zenital view



vista laterale / lateral view



vista retro / back view



NOTICE: floor fixing by silicone

