

2024

CS7014P CM3 STONE 70x140

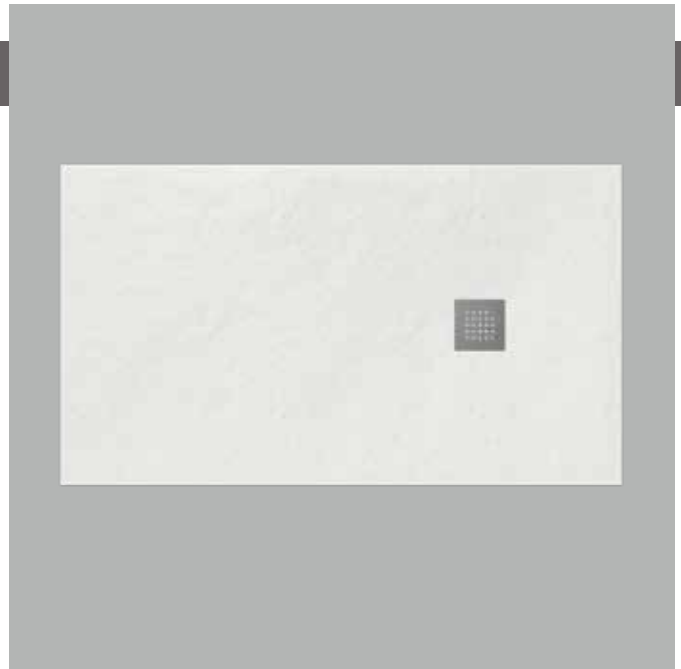
Laid on or built-in in the floor shower tray 70x140 cm
(ø 90 mm drainage system with stainless steel cover included)

Complements: **Line taps shower:** ONE - NOKÉ - SI - FOLD - X1 - STIL
Line accessories: TWO - HOOP - FOLD

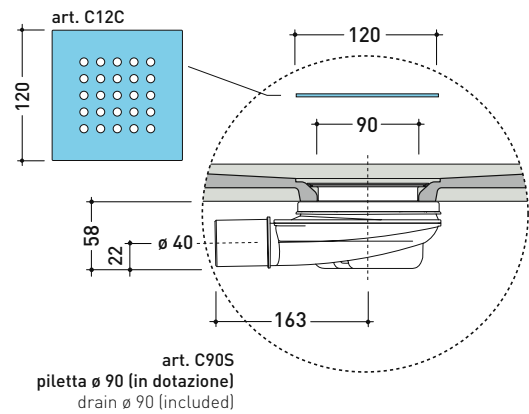
Technical accessories: **painting COLORED square cover (C12C)**

Package dim. cm | Weight 41.2 kg | Pz. Pallet n° -

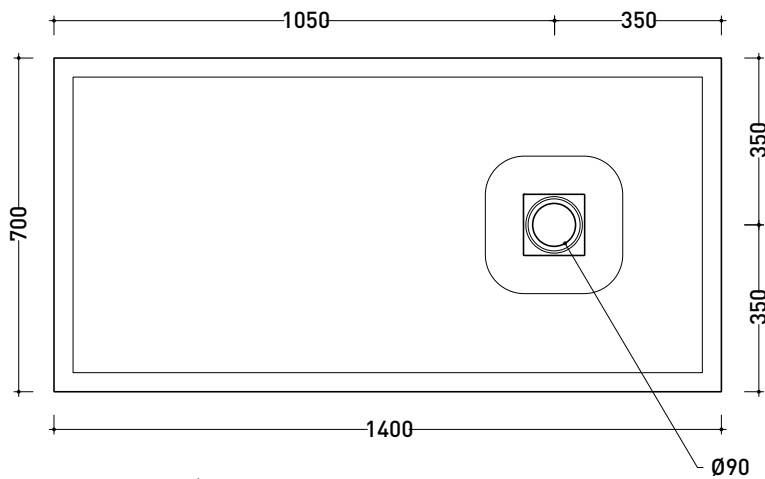
UNI EN 14527 Dop-No14527



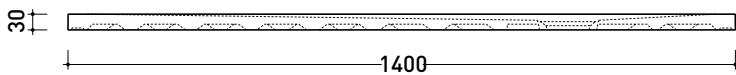
PILETTA IN DOTAZIONE / INCLUDED DRAIN



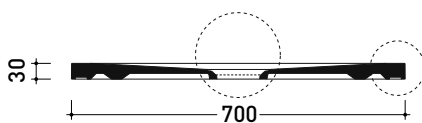
Piletta sifonata / Drainage
Portata / Flow rate: 0,5 l/sec (EN 274 >0,4 l/sec)



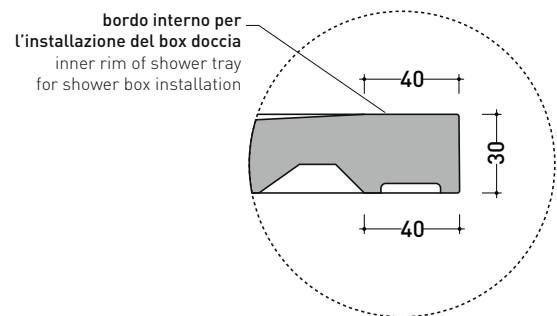
vista zenitale / zenital view



vista frontale / frontal view



sezione longitudinale / section



dettaglio del bordo / shower tray rim detail

sizes in mm

Please consider a 2% tolerance on indicated measurements