

## BX60A Box 60

### Countertop basin 60 cm

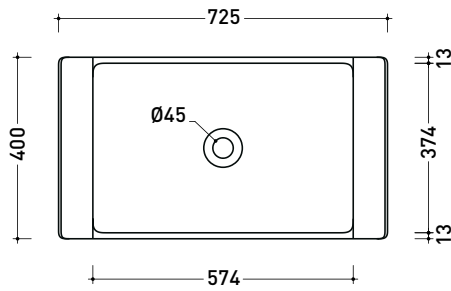
• without overflow • without tap ledge

Complements: **FILO 60 / 75 metal structure** (FI75SC - DI75SC)  
**CUBIKA wall hung vanity units depth 50 cm**  
**DENVER furniture** (DV103M)  
**Line taps basin: ONE - NOKÉ - SI - FOLD - X1 - STIL**  
**Line accessories: TWO - HOOP - FOLD**

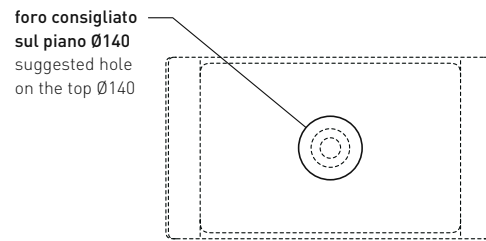
Technical accessories: **Chrome siphon (SIFL/CR) - Telescopic chrome siphon (SIFL066)**  
**Stop & Go drain (PLSG)**  
**CERAMIC Stop & Go drain (PLCE)**  
**Chrome waste with automatic integrated overflow (PLTPCR)**  
**Waste with automatic integrated overflow and ceramic cover (PLTPCE)**

Package dim. - cm | Weight 13.5 kg | Pz. Pallet n° 9

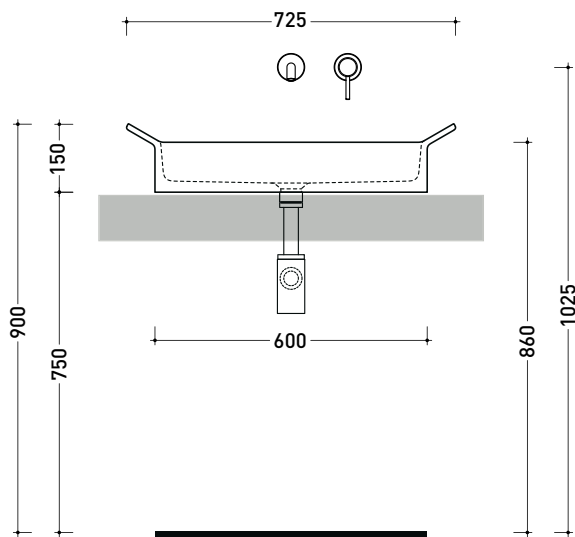
CE UNI EN 14688 - CL00 Dop-No14688



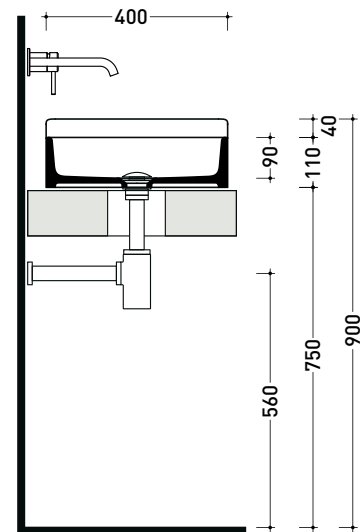
vista zenitale / zenital view



vista zenitale / zenital view



vista frontale / frontal view



sezione longitudinale / section

sizes in mm

Please consider a 2% tolerance on indicated measurements