

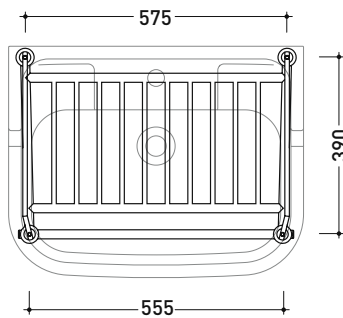
## 6017 Efi 64

### Metal structure suitable for Efi 64 basin

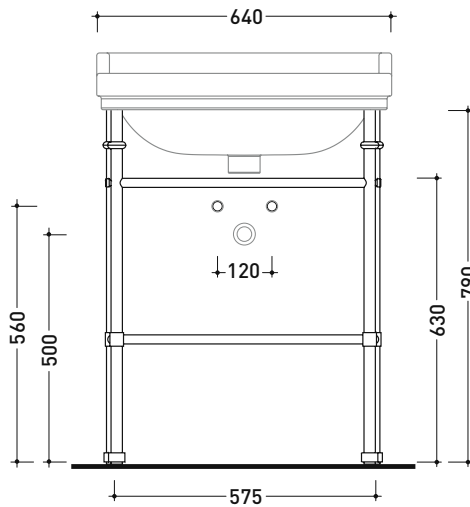
Complements: **Efi 64 basin (6007)**  
**Line taps basin: EVERGREEN**  
**Line accessories: EVERGREEN**

Technical accessories: **Chrome siphon (SIFL/CR) - Telescopic chrome siphon (SIFL066)**  
**Stop & Go drain (PLSG)**  
**CERAMIC Stop & Go drain (PLCE)**  
**Two piece set chrome tap filters (RF026)**  
**Wall fixing kit (9002)**

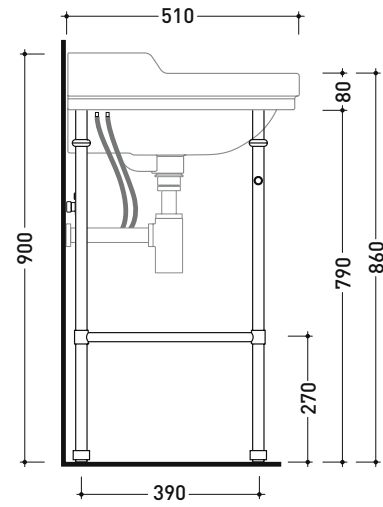
Package dim. structure	cm	Weight - kg	Pz. Pallet n° -
Package dim. basin	cm	Weight 21,3 kg	Pz. Pallet n° -



vista zenitale / zenital view



vista frontale / frontal view



vista laterale / lateral view

sizes in mm

Please consider a 2% tolerance on indicated measurements