

2024

## BCK949 Cubika / Bloom 120

Wall hung vanity unit H50 with 2 drawers  
suitable for Bloom 120 console

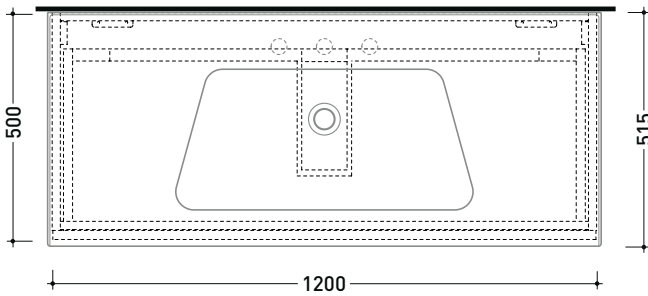
Complements: Console Bloom 120 (BM120L)  
Line taps basin: ONE - NOKE - SI - FOLD - X1 - STIL  
Line accessories: TWO - HOOP - FOLD

Technical accessories: Chrome siphon (SIFL/CR)  
Telescopic chrome siphon (SIFL066)

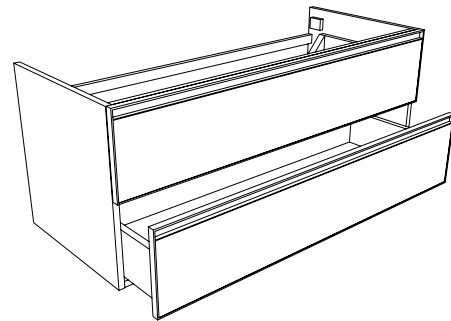
Package dim.

Weight 41,7 kg

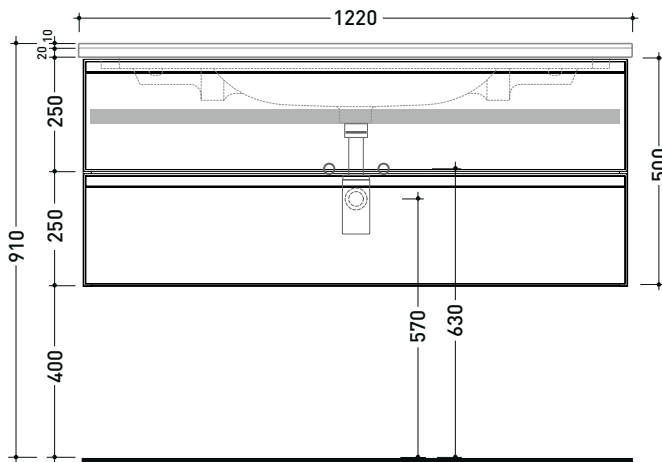
Pz. Pallet n°



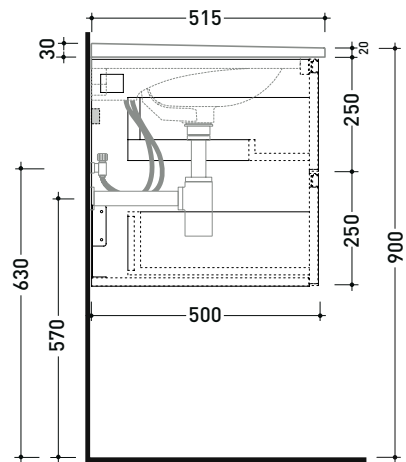
vista zenitale / zenital view



assonometria / axonometry



vista frontale / frontal view



sezione longitudinale / section

sizes in mm