

2024

BCK879 Cubika / Bloom 85

Wall hung vanity unit H50 with 1 drawer suitable for Bloom 85 console

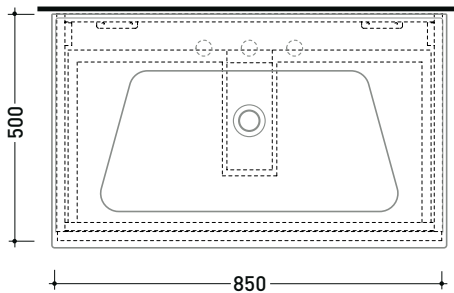
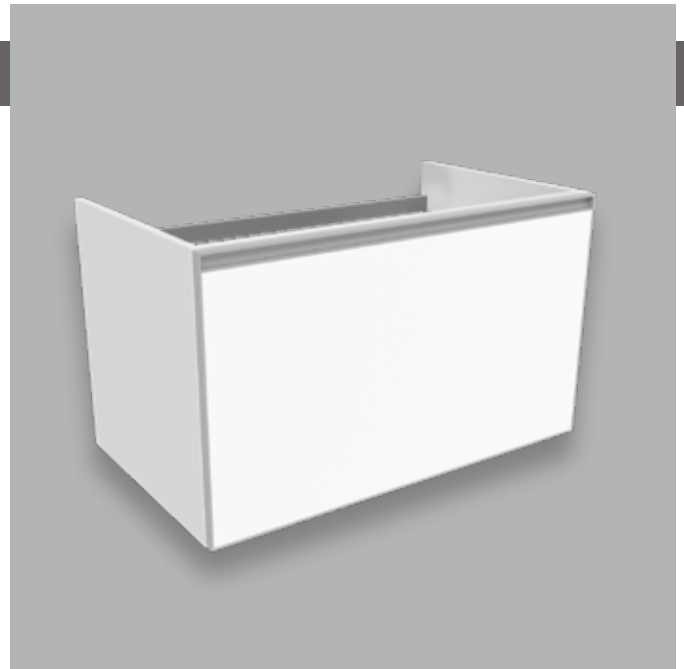
Complements: Console Bloom 85 (BM85L)
Line taps basin: ONE - NOKÉ - SI - FOLD - X1 - STIL
Line accessories: TWO - HOOP - FOLD

Technical accessories: Chrome siphon (SIFL/CR)
Telescopic chrome siphon (SIFL066)

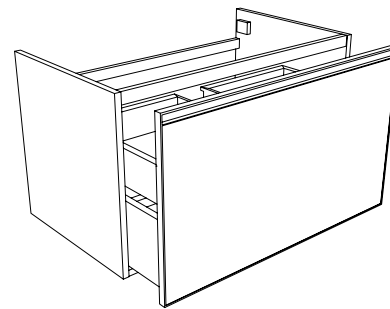
Package dim.

Weight 25,6 kg

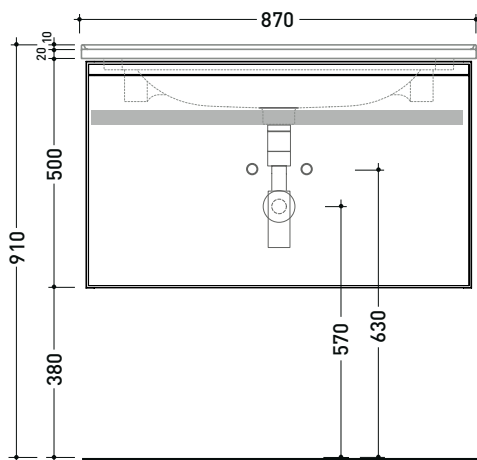
Pz. Pallet n°



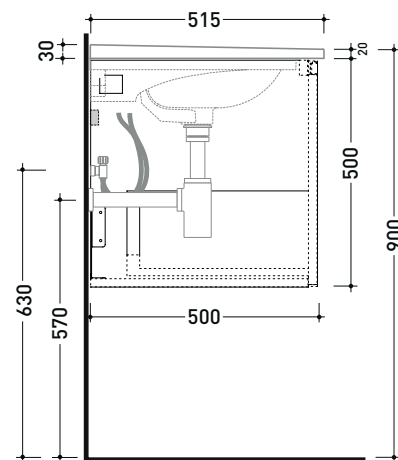
vista zenitale / zenital view



assonometria / axonometry



vista frontale / frontal view



sezione longitudinale / section

sizes in mm