

2024

BCK809 Cubika / Bloom 70

Wall hung vanity unit H50 with 2 drawers
suitable for Bloom 70 console

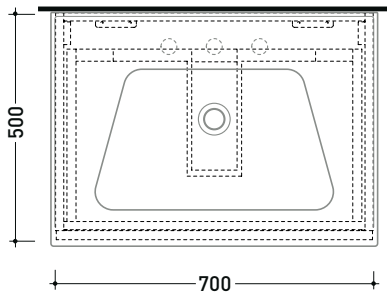
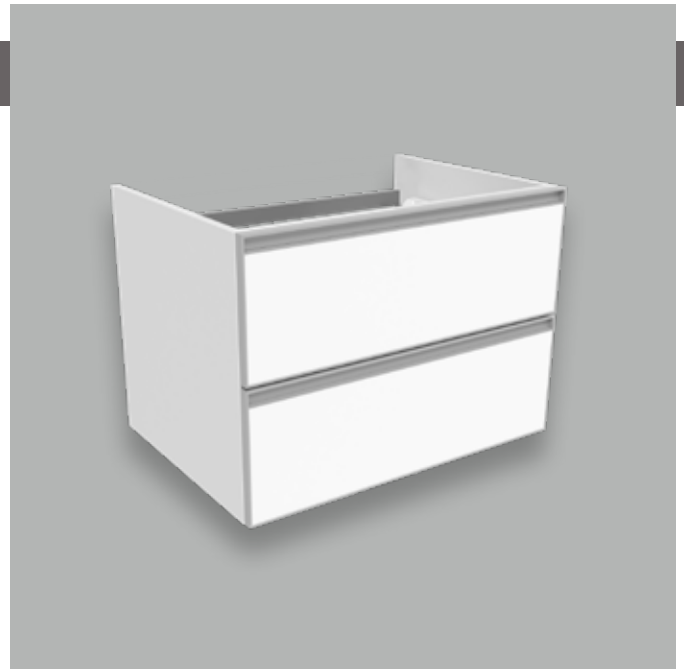
Complements: Console Bloom 70 (BM70L)
Line taps basin: ONE - NOKÉ - SI - FOLD - X1
Line accessories: TWO - HOOP - NOKÉ - FOLD

Technical accessories: Chrome siphon (SIFL/CR)
Telescopic chrome siphon (SIFL066)

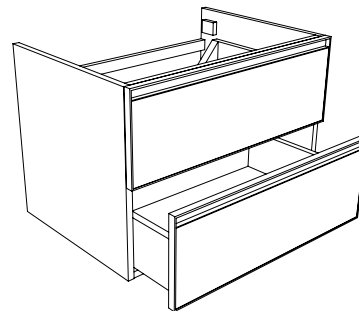
Package dim.

Weight 33,1 kg

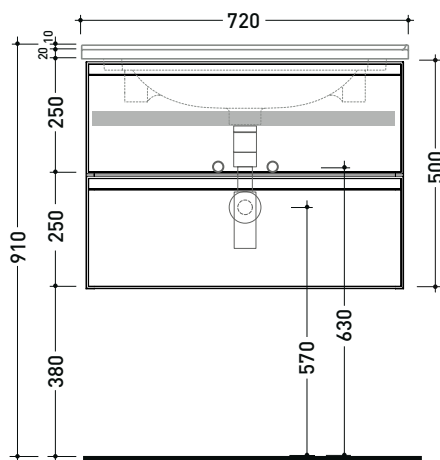
Pz. Pallet n°



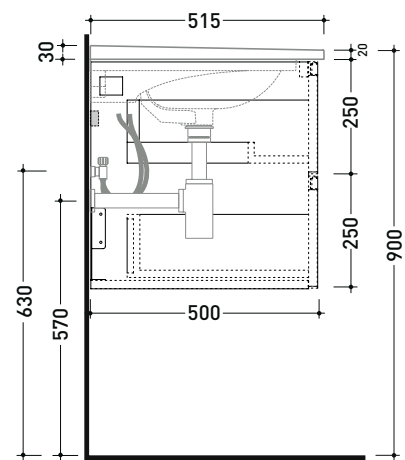
vista zenitale / zenital view



assonometria / axonometry



vista frontale / frontal view



sezione longitudinale / section

sizes in mm