

2024

C9012P CM3 90x120

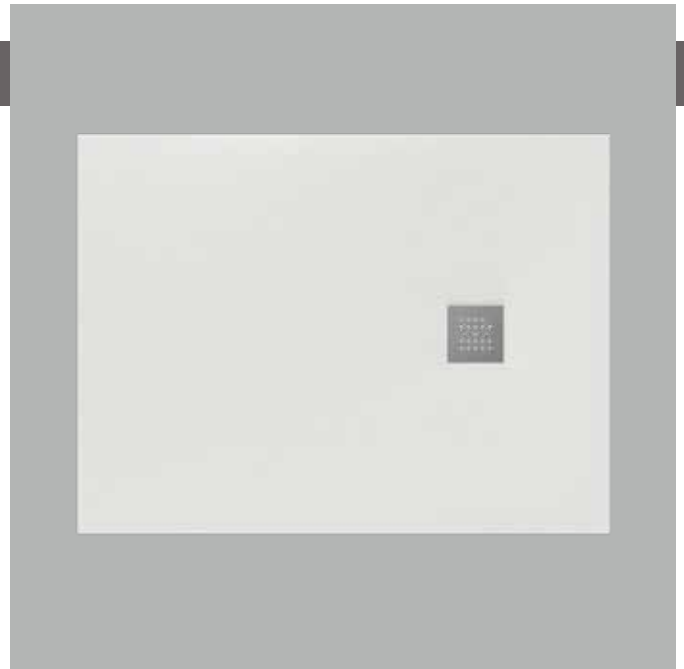
Laid on or built-in in the floor shower tray 90x120 cm
(\varnothing 90 mm drainage system with stainless steel cover included)

Complements: **Line taps shower:** ONE - NOKÉ - SI - FOLD - X1 - STIL
Line accessories: TWO - HOOP - FOLD

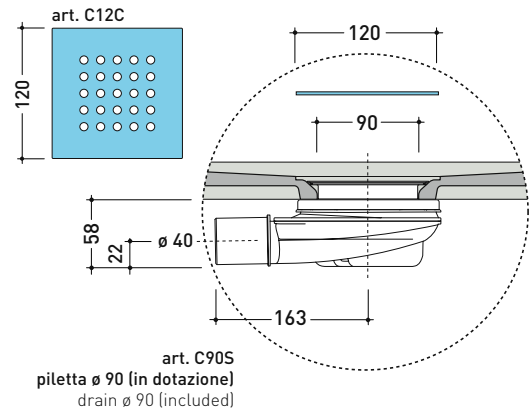
Technical accessories: **painted COLORED square cover (C12C)**

Package dim. **cm** | Weight **42,8 kg** | Pz. Pallet n° -

CE UNI EN 14527 Dop-No14527

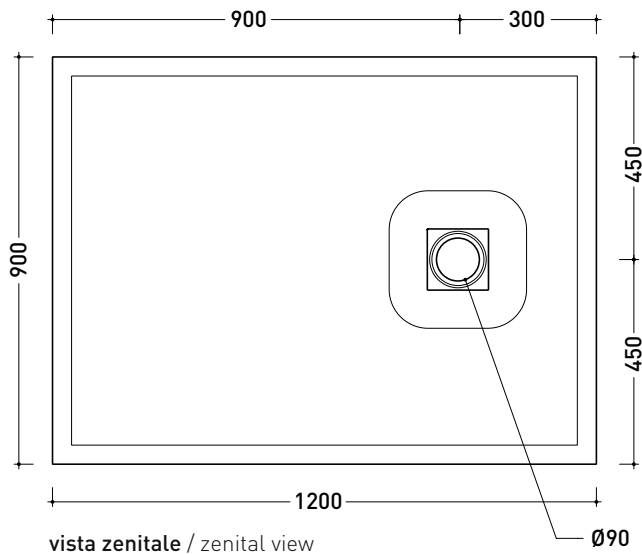


PILETTA IN DOTAZIONE / INCLUDED DRAIN

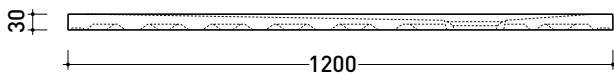


art. C90S
piletta \varnothing 90 (in dotazione)
drain \varnothing 90 (included)

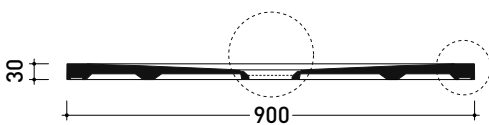
Piletta sifonata / Drainage
Portata / Flow rate: 0,5 l/sec (EN 274 \geq 0,4 l/sec)



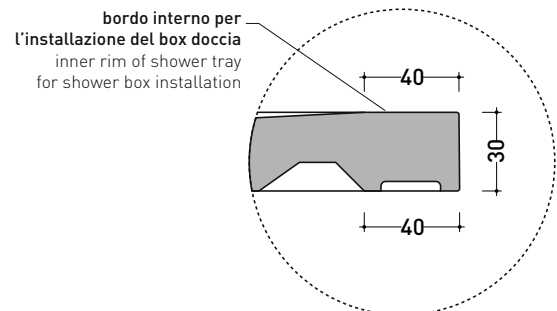
vista zenitale / zenital view



vista frontale / frontal view



sezione longitudinale / section



dettaglio del bordo / shower tray rim detail

sizes in mm

Please consider a 2% tolerance on indicated measurements