

2024

C9012P CM3 90x120

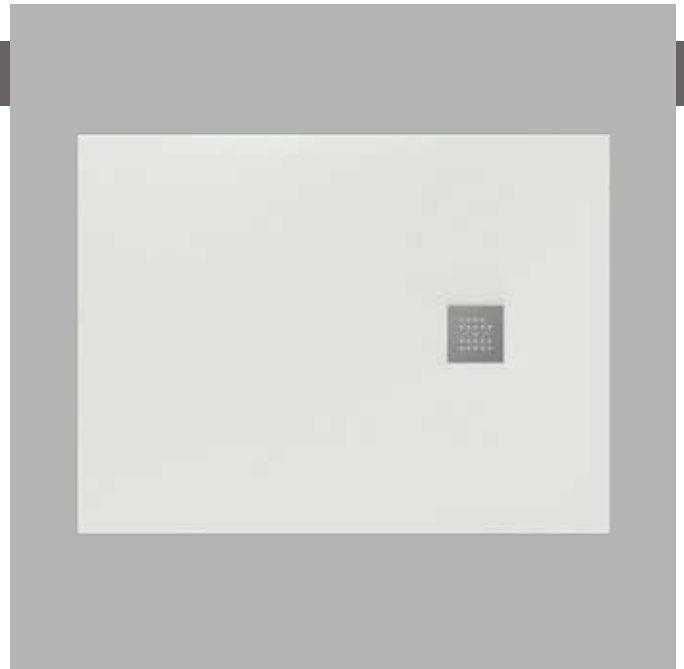
Laid on or built-in in the floor shower tray 90x120 cm
(\varnothing 90 mm drainage system with stainless steel cover included)

Complements: **Line taps shower:** ONE - NOKÉ - SI - FOLD - X1 - STIL
Line accessories: TWO - HOOP - FOLD

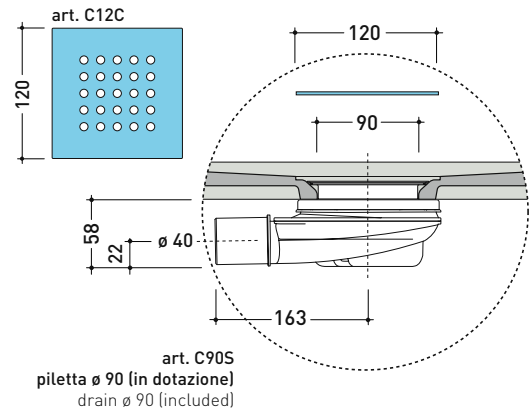
Technical accessories: **painting COLORED square cover (C12C)**

Package dim. **cm** | Weight **42,8 kg** | Pz. Pallet n° -

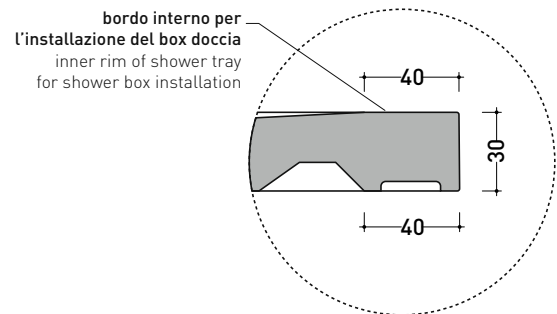
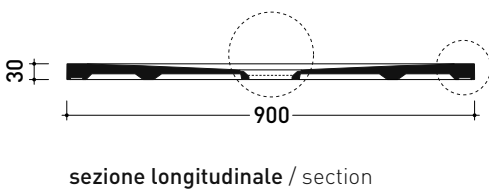
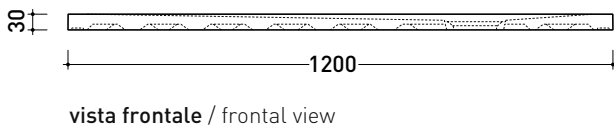
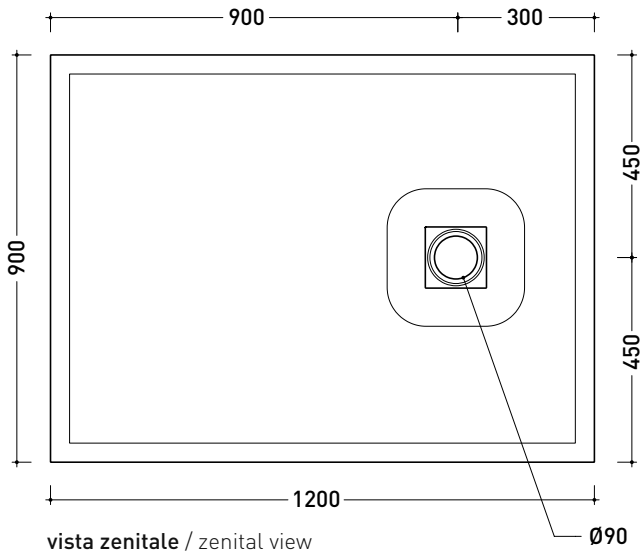
CE UNI EN 14527 Dop-No14527



PILETTA IN DOTAZIONE / INCLUDED DRAIN



Piletta sifonata / Drainage
Portata / Flow rate: 0,5 l/sec (EN 274 \geq 0,4 l/sec)



sizes in mm

Please consider a 2% tolerance on indicated measurements

2022

C8014P CM3 80x140

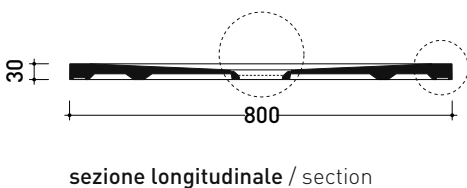
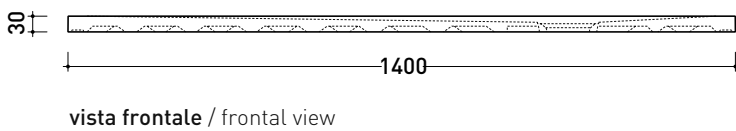
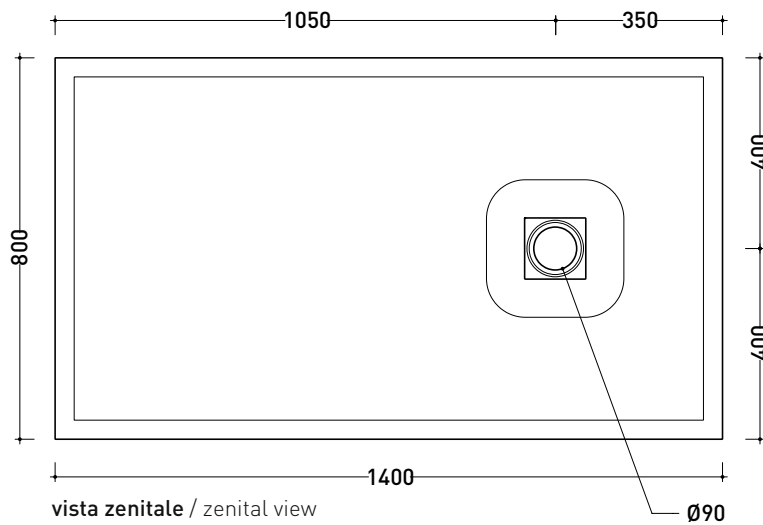
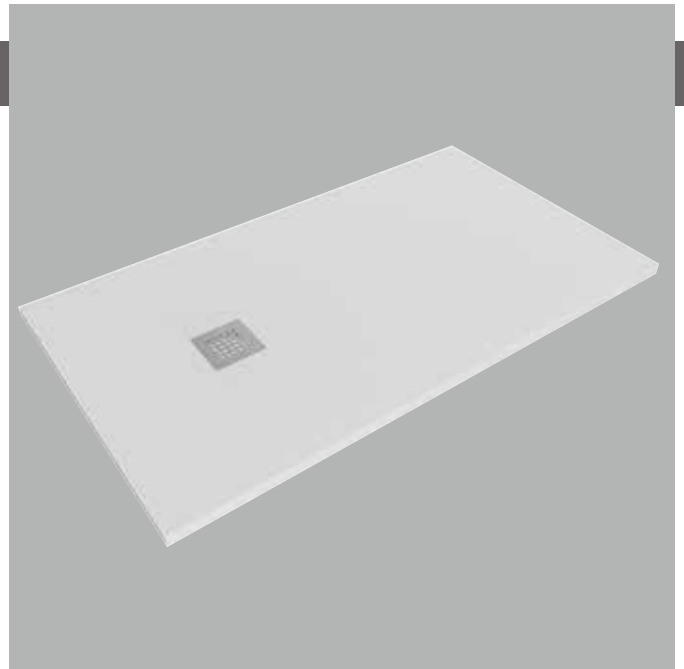
Laid on or built-in in the floor shower tray 80x140 cm
(ø 90 mm drainage system with stainless steel cover included)

Complements: **Line taps shower:** ONE - NOKÉ - SI - FOLD - X1 - STIL
Line accessories: TWO - HOOP - FOLD

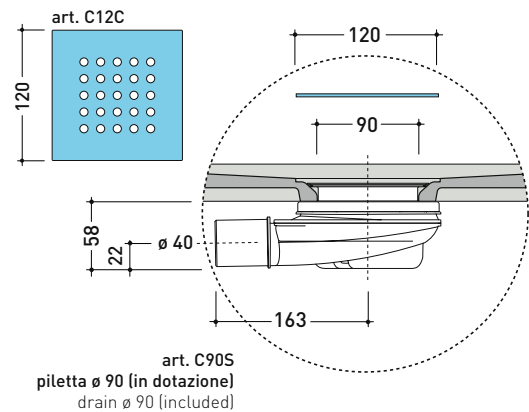
Technical accessories: **painting COLORED square cover (C12C)**

Package dim. **cm** | Weight **45 kg** | Pz. Pallet n° -

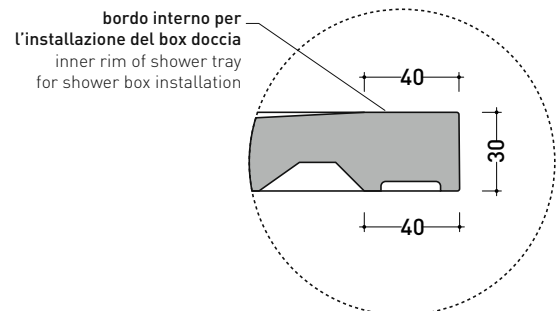
CE UNI EN 14527 Dop-No14527



PILETTA IN DOTAZIONE / INCLUDED DRAIN



Piletta sifonata / Drainage
Portata / Flow rate: 0,5 l/sec (EN 274 >0,4 l/sec)



dettaglio del bordo / shower tray rim detail

sizes in mm

Please consider a 2% tolerance on indicated measurements

C8012P CM3 80x120

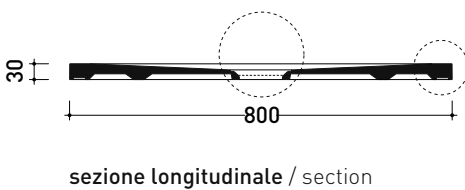
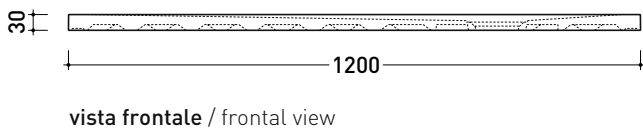
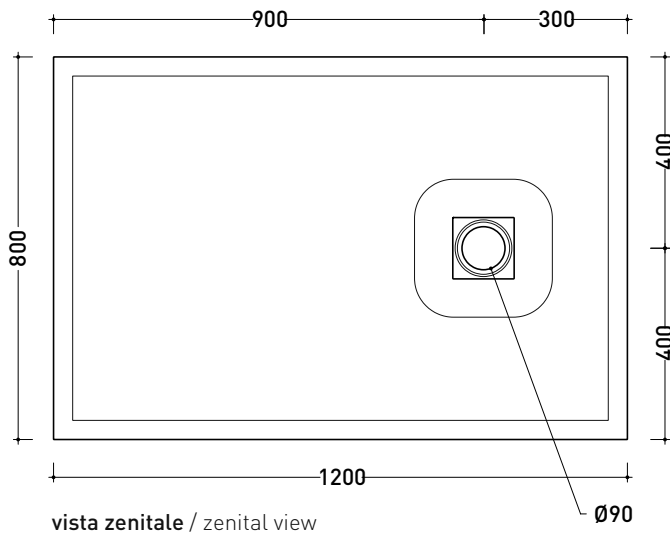
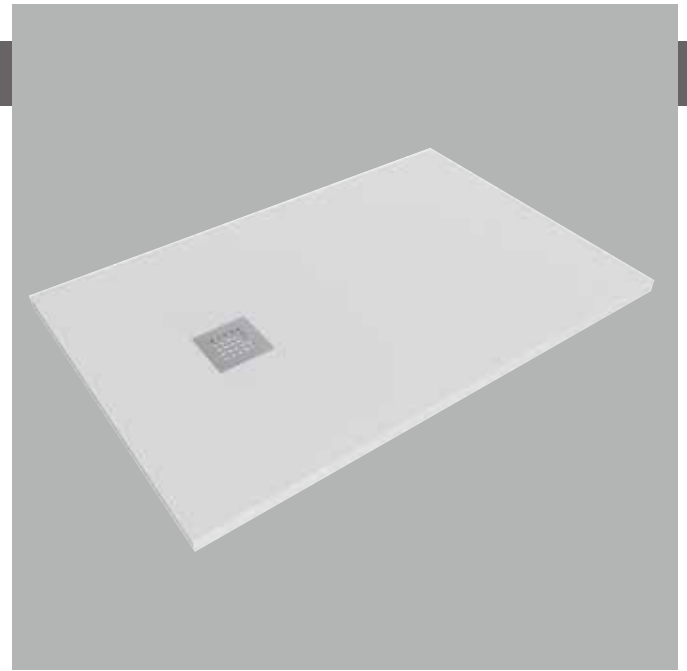
Laid on or built-in in the floor shower tray 80x120 cm
(\varnothing 90 mm drainage system with stainless steel cover included)

Complements: **Line taps shower:** ONE - NOKÉ - SI - FOLD - X1 - STIL
Line accessories: TWO - HOOP - FOLD

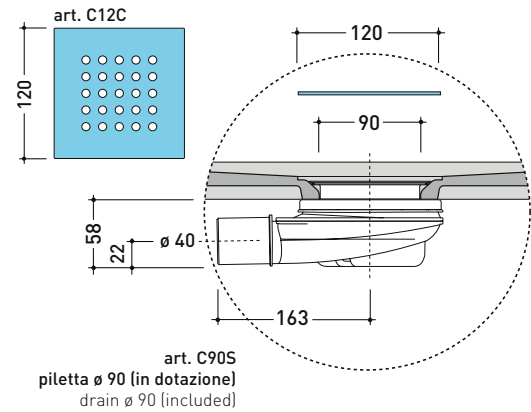
Technical accessories: **painting COLORED square cover (C12C)**

Package dim. **cm** | Weight **41 kg** | Pz. Pallet n° -

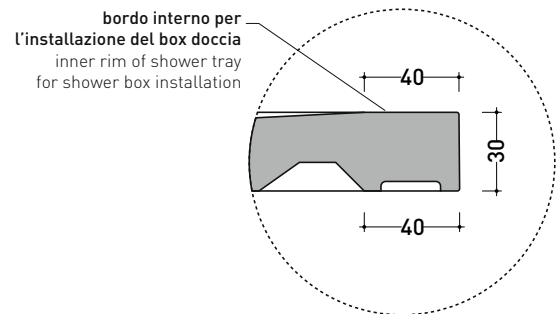
UNI EN 14527 Dop-No14527



PILETTA IN DOTAZIONE / INCLUDED DRAIN



Piletta sifonata / Drainage
Portata / Flow rate: 0,5 l/sec (EN 274 >0,4 l/sec)



2022

C8010P CM3 80x100

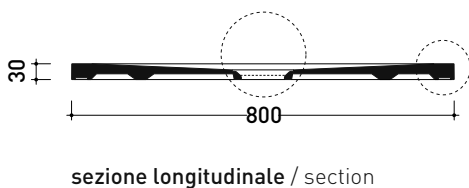
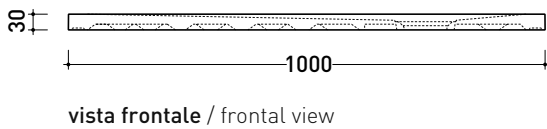
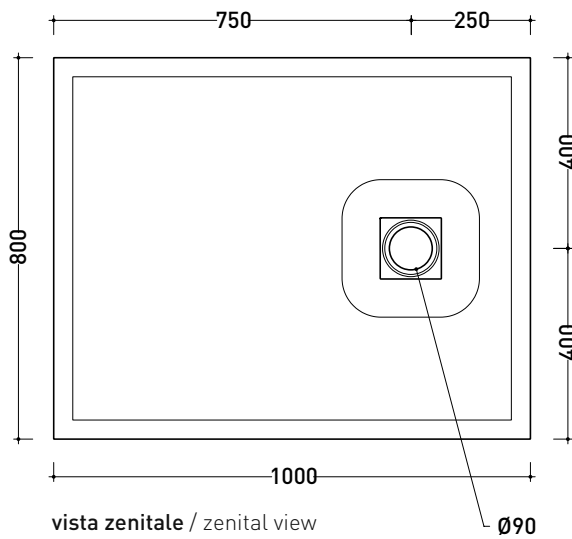
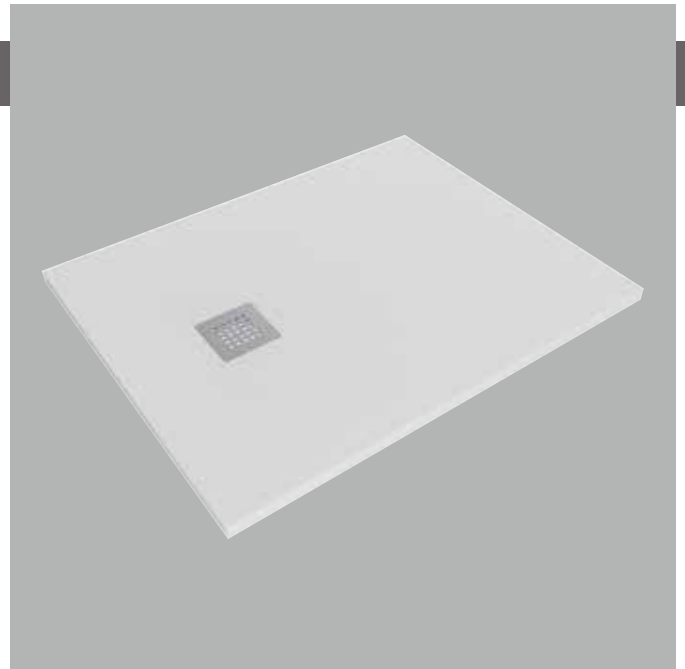
Laid on or built-in in the floor shower tray 80x100 cm
(\varnothing 90 mm drainage system with stainless steel cover included)

Complements: **Line taps shower:** ONE - NOKÉ - SI - FOLD - X1 - STIL
Line accessories: TWO - HOOP - FOLD

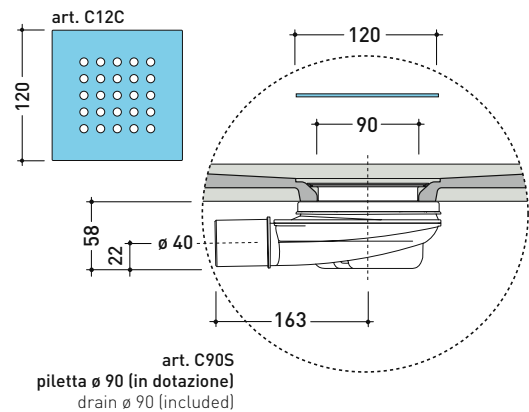
Technical accessories: **painting COLORED square cover (C12C)**

Package dim. **cm** | Weight **34 kg** | Pz. Pallet n° -

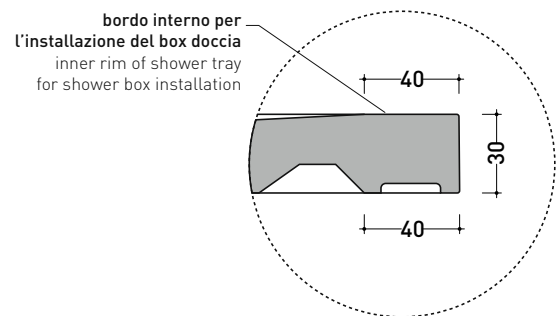
CE UNI EN 14527 Dop-No14527



PILETTA IN DOTAZIONE / INCLUDED DRAIN



Piletta sifonata / Drainage
Portata / Flow rate: 0,5 l/sec (EN 274 >0,4 l/sec)



dettaglio del bordo / shower tray rim detail

sizes in mm

Please consider a 2% tolerance on indicated measurements

2024

C8090P CM3 80x90

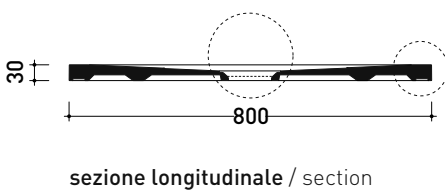
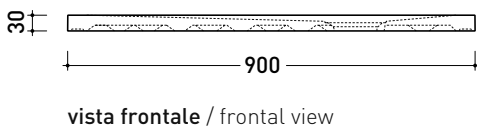
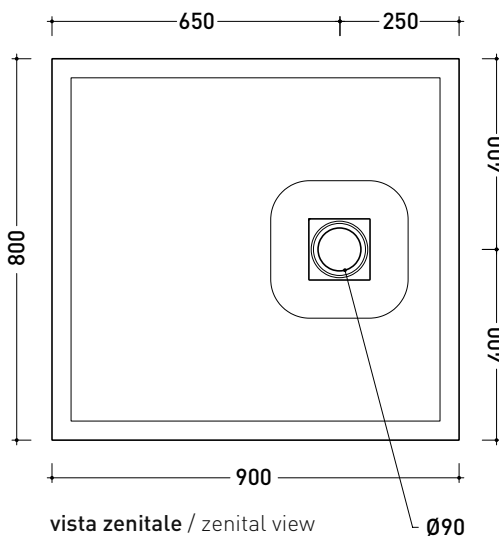
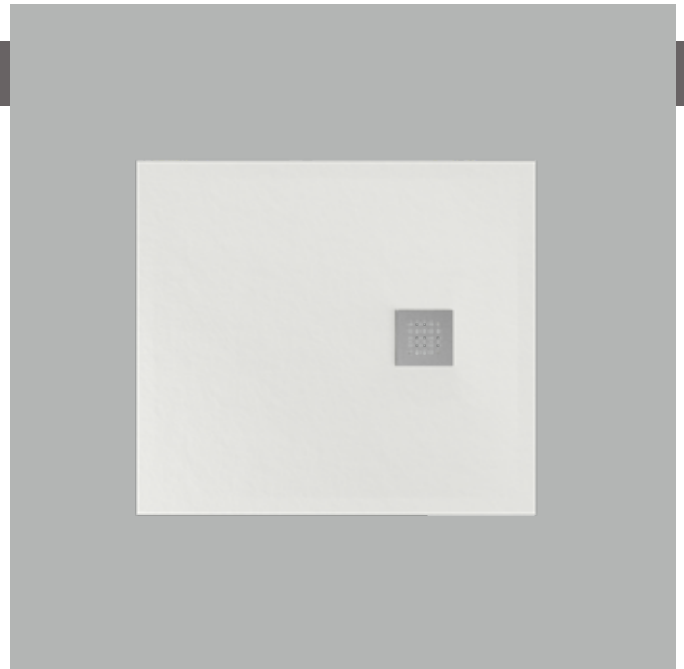
Laid on or built-in in the floor shower tray 80x90 cm
(ø 90 mm drainage system with stainless steel cover included)

Complements: **Line taps shower:** ONE - NOKÉ - SI - FOLD - X1 - STIL
Line accessories: TWO - HOOP - FOLD

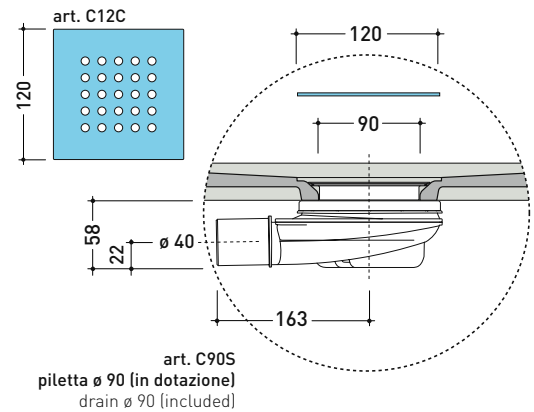
Technical accessories: **painting COLORED square cover (C12C)**

Package dim. **cm** | Weight **25,8 kg** | Pz. Pallet n° -

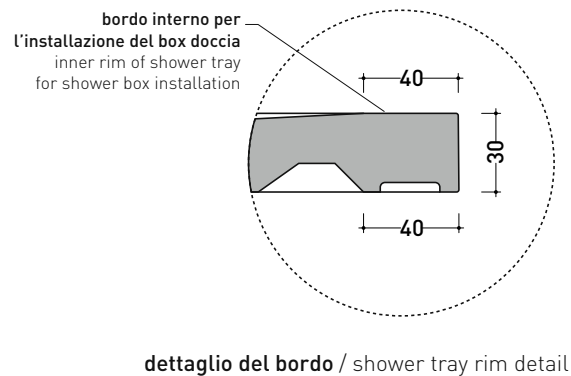
CE UNI EN 14527 Dop-No14527



PILETTA IN DOTAZIONE / INCLUDED DRAIN



Piletta sifonata / Drainage
Portata / Flow rate: 0,5 l/sec [EN 274 >0,4 l/sec]



sizes in mm

Please consider a 2% tolerance on indicated measurements

2024

C8080P CM3 80x80

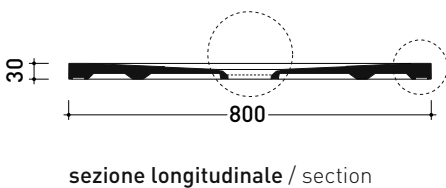
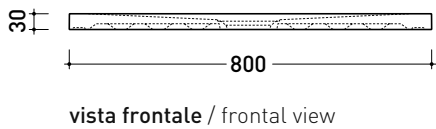
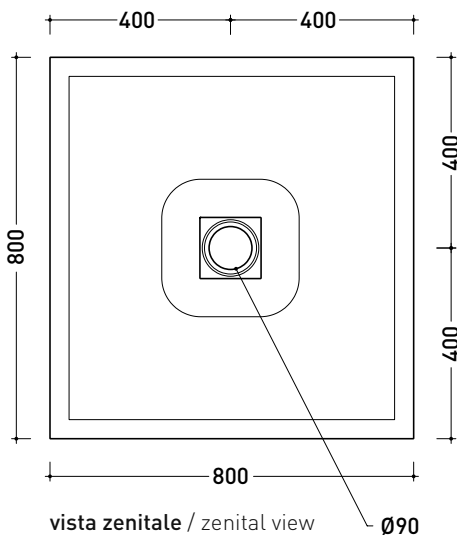
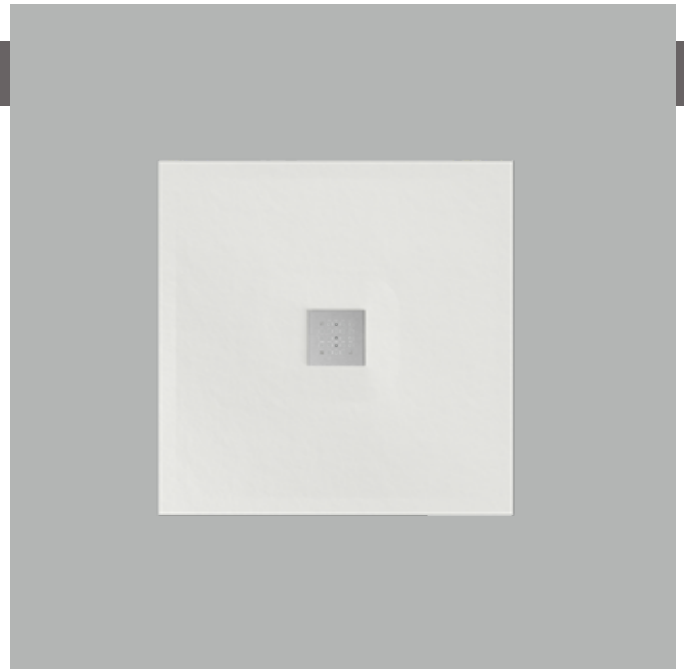
Laid on or built-in in the floor shower tray 80x80 cm
(\varnothing 90 mm drainage system with stainless steel cover included)

Complements: **Line taps shower:** ONE - NOKÉ - SI - FOLD - X1 - STIL
Line accessories: TWO - HOOP - FOLD

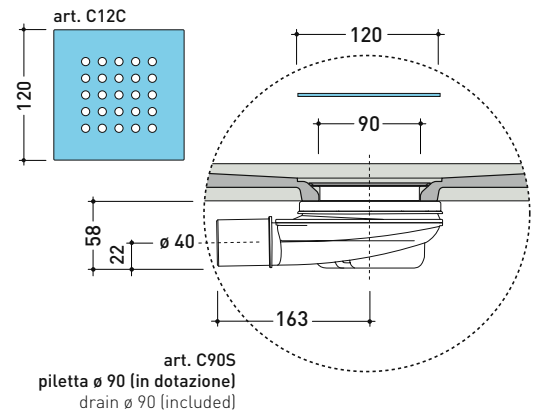
Technical accessories: **painting COLORED square cover (C12C)**

Package dim. **cm** | Weight **25,8 kg** | Pz. Pallet n° -

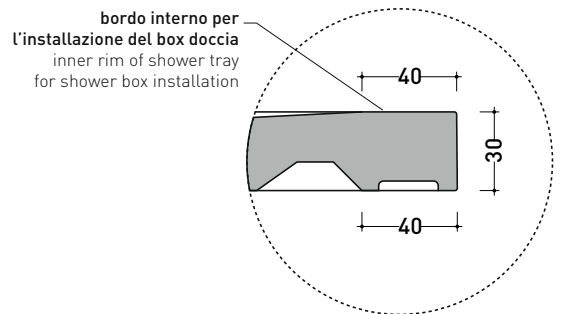
CE UNI EN 14527 Dop-No14527



PILETTA IN DOTAZIONE / INCLUDED DRAIN



Piletta sifonata / Drainage
Portata / Flow rate: 0,5 l/sec (EN 274 >0,4 l/sec)



dettaglio del bordo / shower tray rim detail

sizes in mm

Please consider a 2% tolerance on indicated measurements

2022

C7014P CM3 70x140

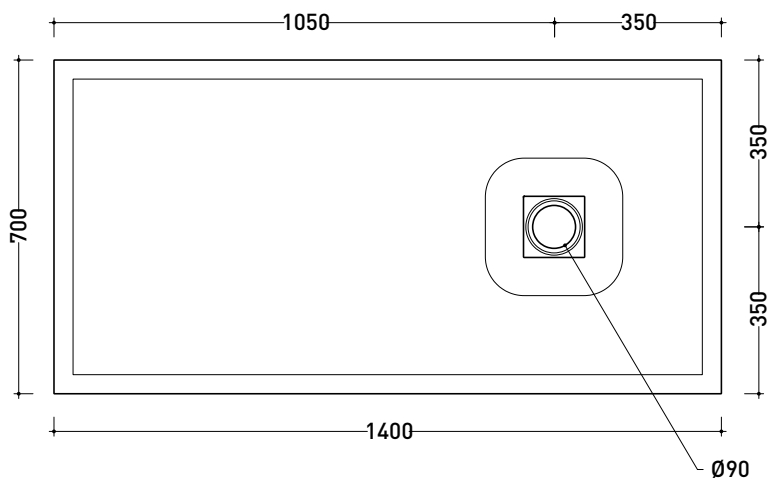
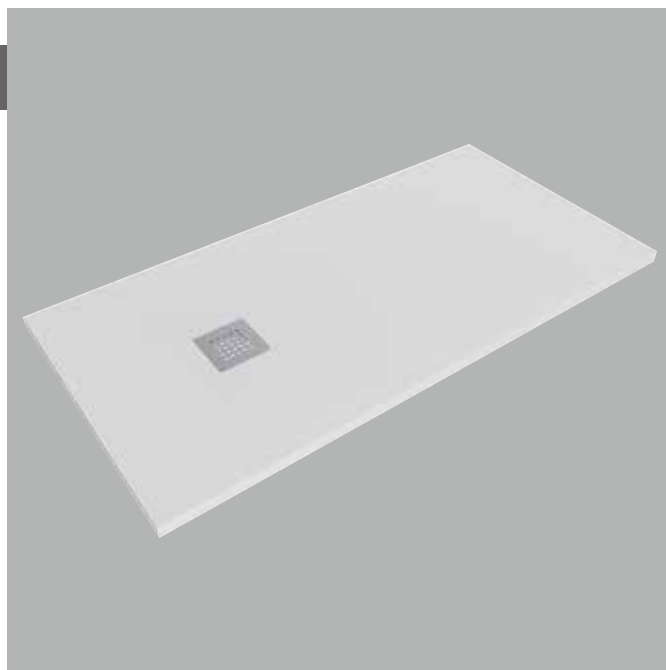
Laid on or built-in in the floor shower tray 70x140 cm
(\varnothing 90 mm drainage system with stainless steel cover included)

Complements: **Line taps shower:** ONE - NOKÉ - SI - FOLD - X1 - STIL
Line accessories: TWO - HOOP - FOLD

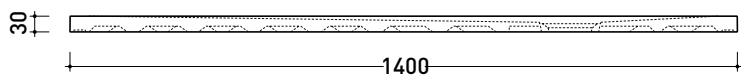
Technical accessories: **painting COLORED square cover (C12C)**

Package dim. **cm** | Weight **42 kg** | Pz. Pallet n° -

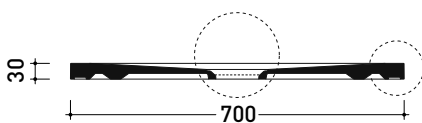
CE UNI EN 14527 Dop-No14527



vista zenitale / zenital view

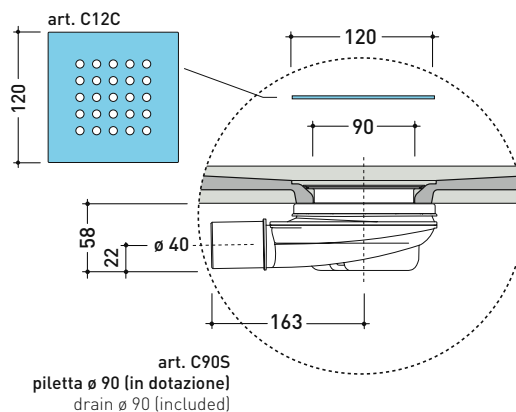


vista frontale / frontal view



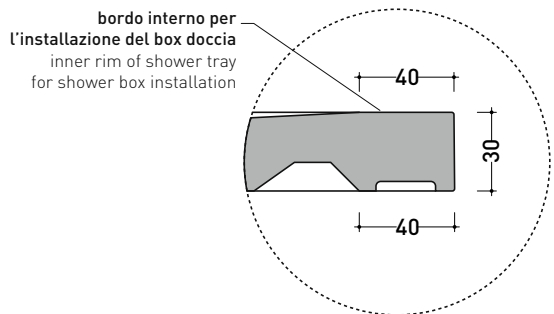
sezione longitudinale / section

PILETTA IN DOTAZIONE / INCLUDED DRAIN



art. C12C
art. C90S
piletta \varnothing 90 (in dotazione)
drain \varnothing 90 (included)

Piletta sifonata / Drainage
Portata / Flow rate: 0,5 l/sec (EN 274 >0,4 l/sec)



dettaglio del bordo / shower tray rim detail

sizes in mm

Please consider a 2% tolerance on indicated measurements

2022

C7012P CM3 70x120

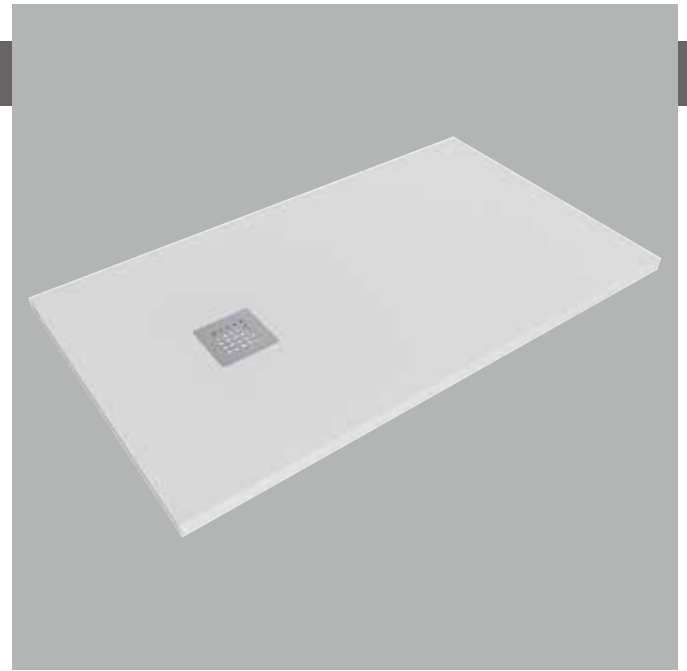
Laid on or built-in in the floor shower tray 70x120 cm
(\varnothing 90 mm drainage system with stainless steel cover included)

Complements: **Line taps shower:** ONE - NOKÉ - SI - FOLD - X1 - STIL
Line accessories: TWO - HOOP - FOLD

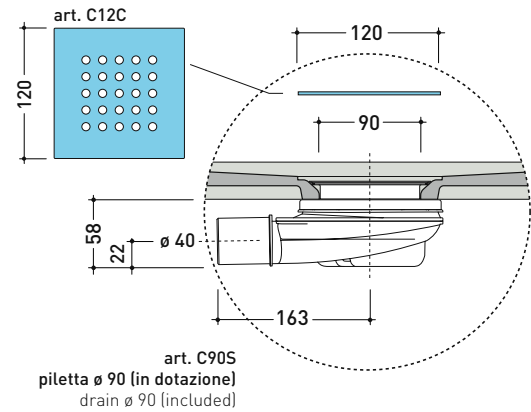
Technical accessories: **painting COLORED square cover (C12C)**

Package dim. **cm** | Weight **35 kg** | Pz. Pallet n° -

CE UNI EN 14527 Dop-No14527

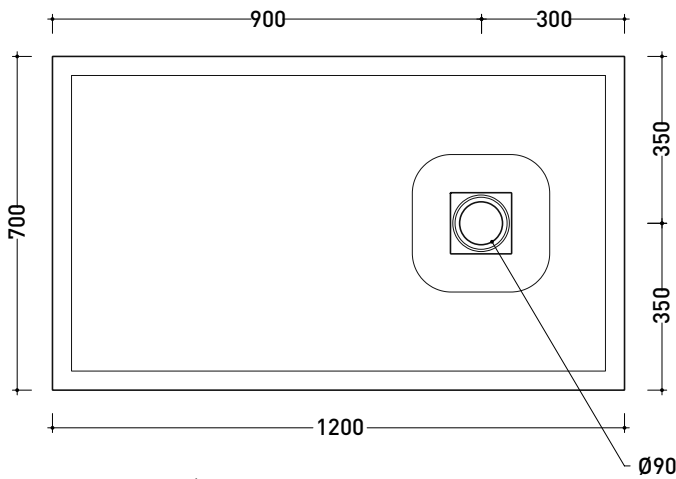


PILETTA IN DOTAZIONE / INCLUDED DRAIN

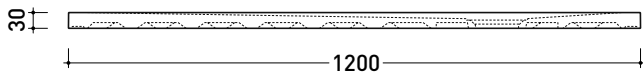


art. C90S
piletta \varnothing 90 (in dotazione)
drain \varnothing 90 (included)

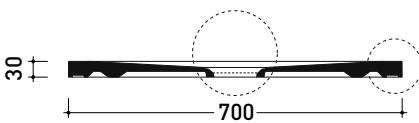
Piletta sifonata / Drainage
Portata / Flow rate: 0,5 l/sec (EN 274 >0,4 l/sec)



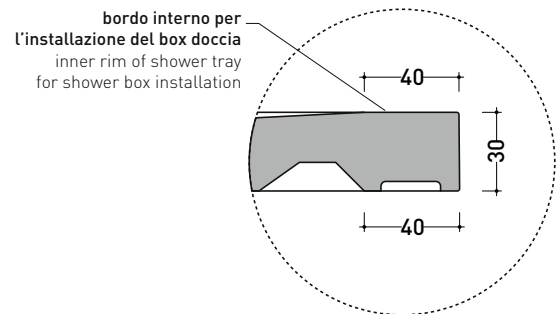
vista zenitale / zenital view



vista frontale / frontal view



sezione longitudinale / section



dettaglio del bordo / shower tray rim detail

sizes in mm

Please consider a 2% tolerance on indicated measurements

2022

C7010P CM3 70x100

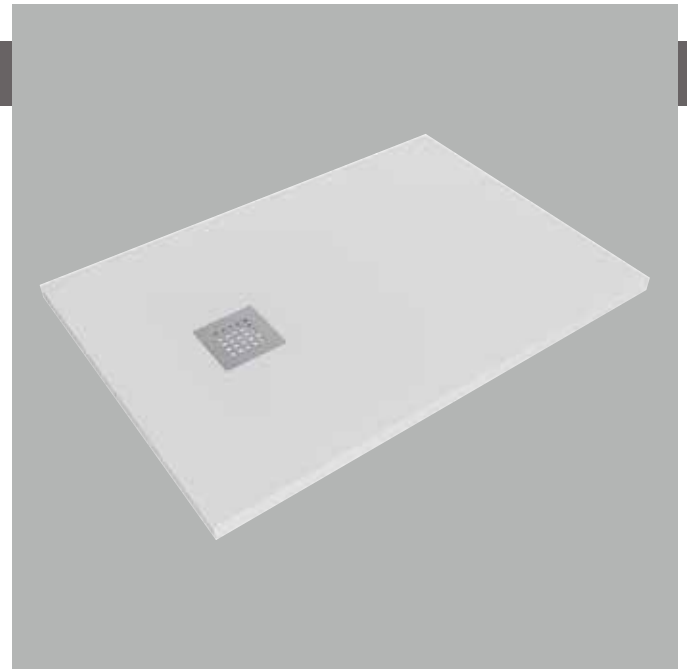
Laid on or built-in in the floor shower tray 70x100 cm
(\varnothing 90 mm drainage system with stainless steel cover included)

Complements: **Line taps shower:** ONE - NOKÉ - SI - FOLD - X1 - STIL
Line accessories: TWO - HOOP - FOLD

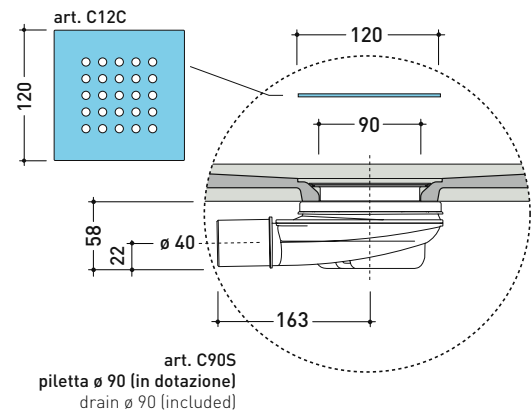
Technical accessories: **painting COLORED square cover (C12C)**

Package dim. **cm** | Weight **28 kg** | Pz. Pallet n° -

CE UNI EN 14527 Dop-No14527

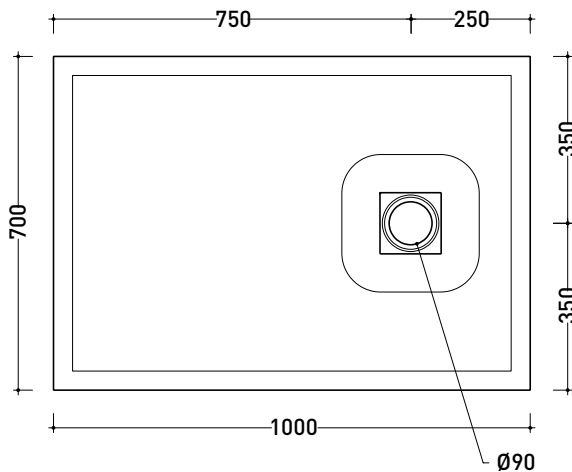


PILETTA IN DOTAZIONE / INCLUDED DRAIN

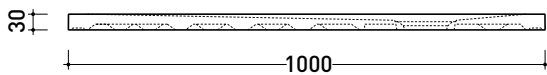


art. C90S
piletta \varnothing 90 (in dotazione)
drain \varnothing 90 (included)

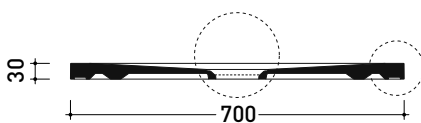
Piletta sifonata / Drainage
Portata / Flow rate: 0,5 l/sec (EN 274 >0,4 l/sec)



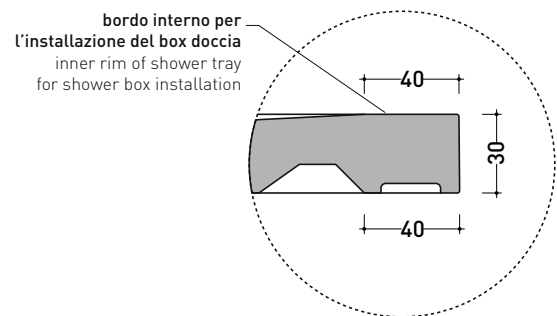
vista zenitale / zenital view



vista frontale / frontal view



sezione longitudinale / section



dettaglio del bordo / shower tray rim detail

sizes in mm

Please consider a 2% tolerance on indicated measurements

2024

C7090P CM3 70x90

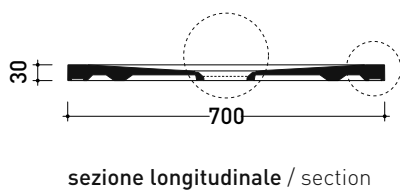
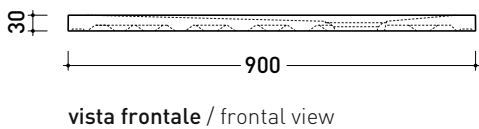
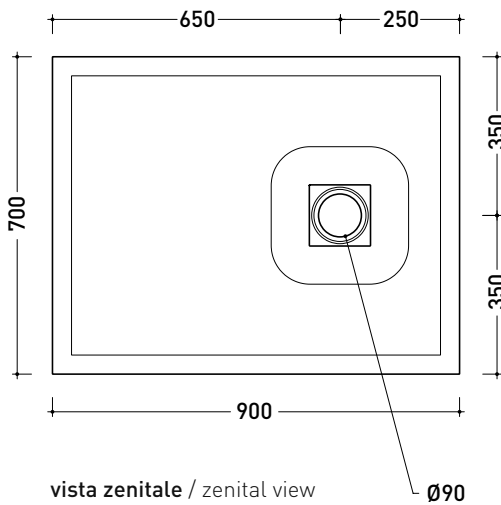
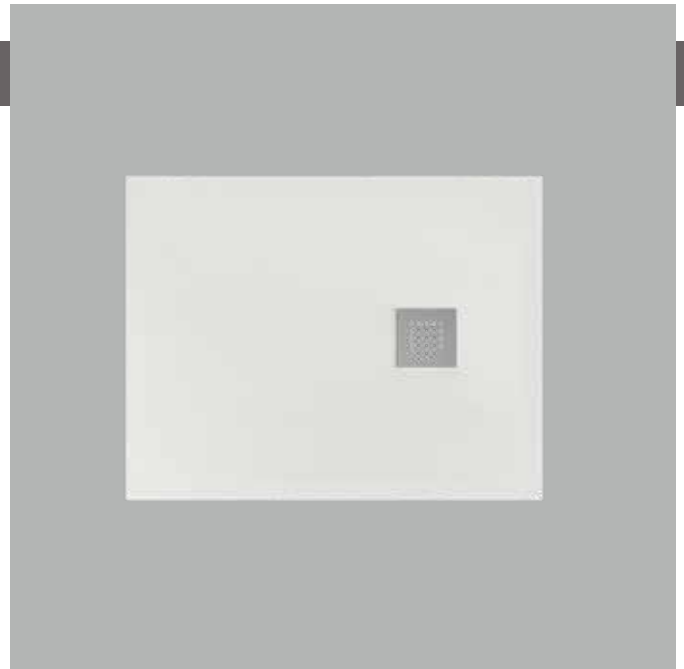
Laid on or built-in in the floor shower tray 70x90 cm
(\varnothing 90 mm drainage system with stainless steel cover included)

Complements: **Line taps shower:** ONE - NOKÉ - SI - FOLD - X1 - STIL
Line accessories: TWO - HOOP - FOLD

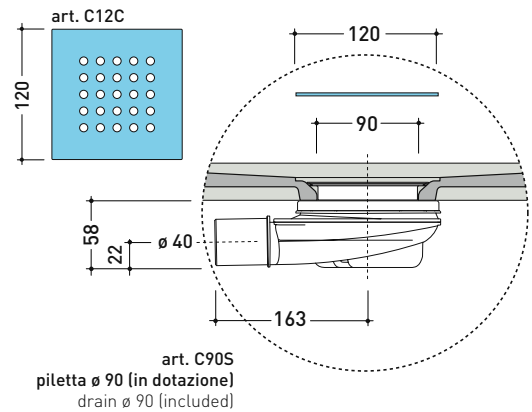
Technical accessories: **painting COLORED square cover (C12C)**

Package dim. **cm** | Weight **25,8 kg** | Pz. Pallet n° -

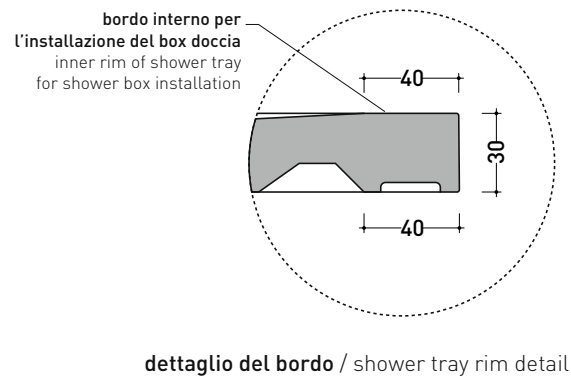
CE UNI EN 14527 Dop-No14527



PILETTA IN DOTAZIONE / INCLUDED DRAIN



Piletta sifonata / Drainage
Portata / Flow rate: 0,5 l/sec (EN 274 \geq 0,4 l/sec)



sizes in mm

Please consider a 2% tolerance on indicated measurements