

2022

## C8014P CM3 80x140

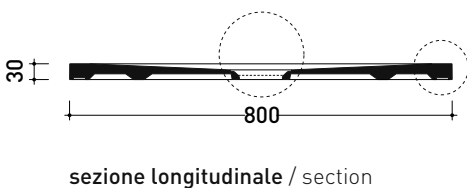
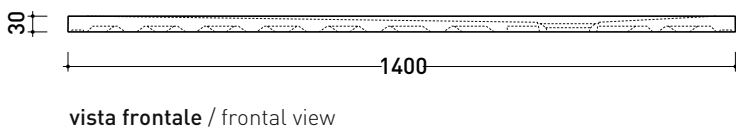
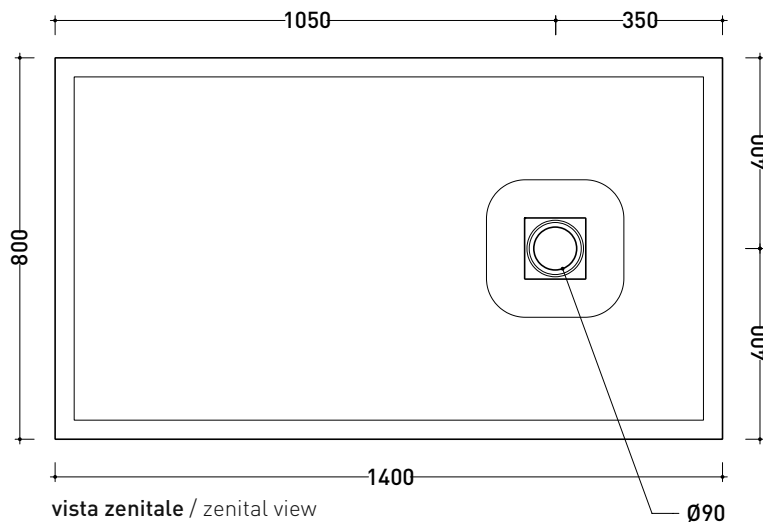
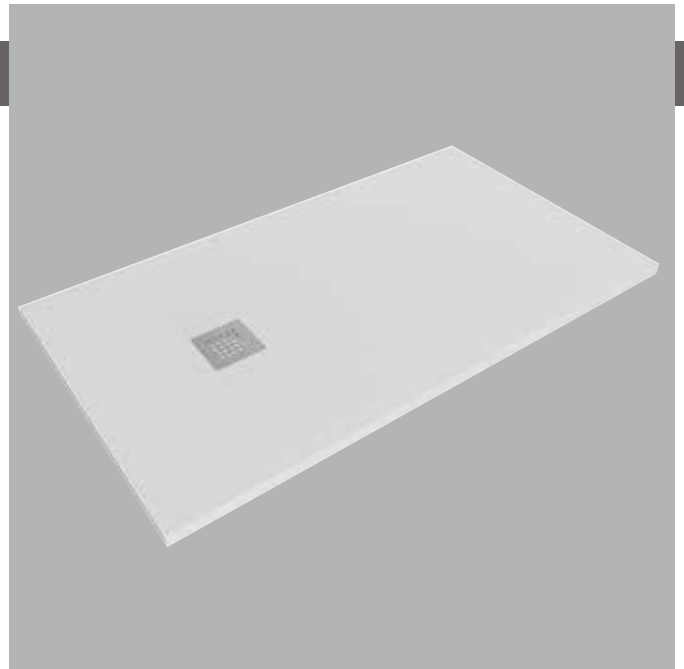
Laid on or built-in in the floor shower tray 80x140 cm  
(ø 90 mm drainage system with stainless steel cover included)

Complements: **Line taps shower:** ONE - NOKÉ - SI - FOLD - X1 - STIL  
**Line accessories:** TWO - HOOP - FOLD

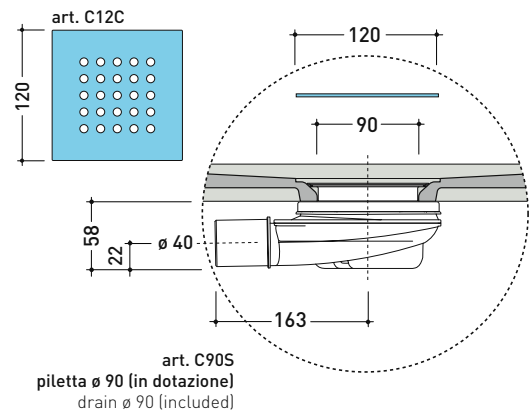
Technical accessories: **painting COLORED square cover (C12C)**

Package dim. **cm** | Weight **45 kg** | Pz. Pallet n° -

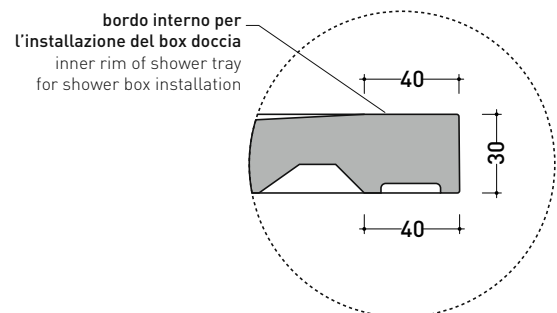
CE UNI EN 14527 Dop-No14527



### PILETTA IN DOTAZIONE / INCLUDED DRAIN



**Piletta sifonata / Drainage**  
**Portata / Flow rate: 0,5 l/sec (EN 274 >0,4 l/sec)**



dettaglio del bordo / shower tray rim detail

sizes in mm

Please consider a 2% tolerance on indicated measurements