

C8012P CM3 80x120

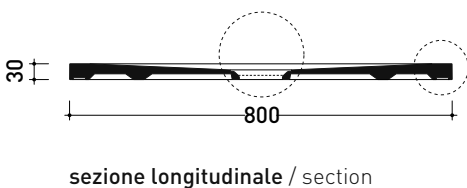
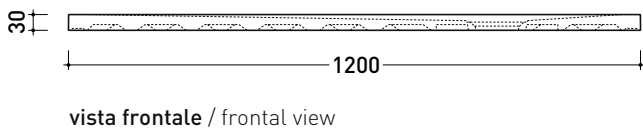
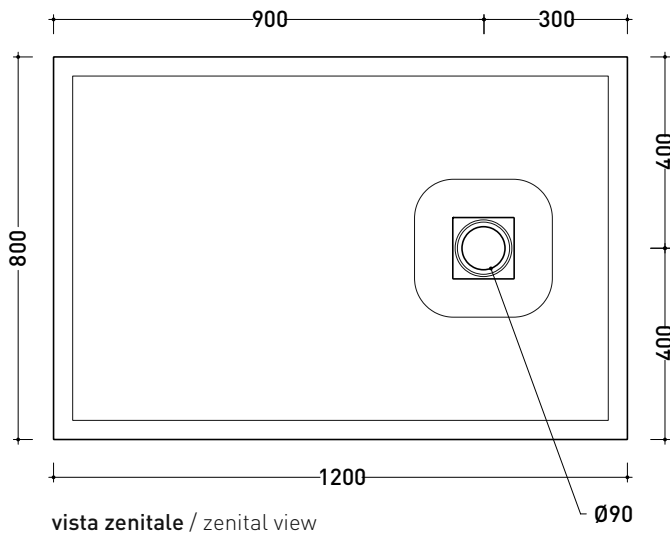
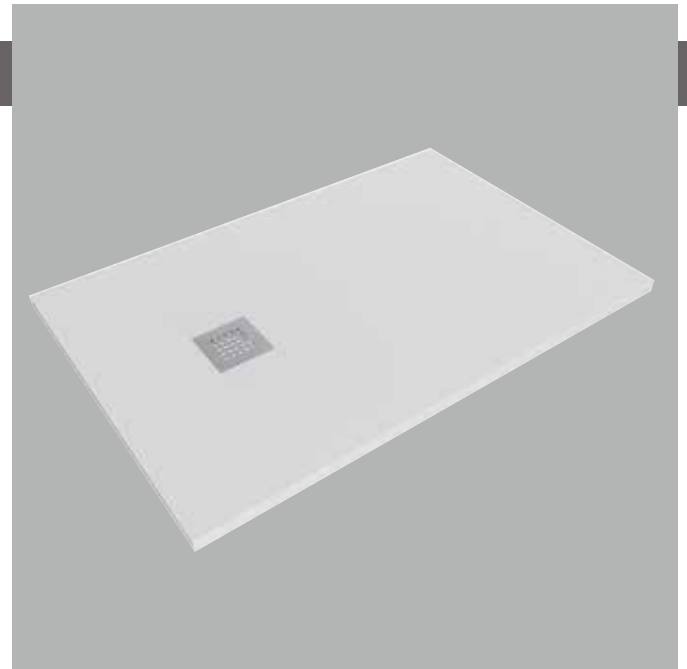
Laid on or built-in in the floor shower tray 80x120 cm
(\varnothing 90 mm drainage system with stainless steel cover included)

Complements: **Line taps shower:** ONE - NOKÉ - SI - FOLD - X1 - STIL
Line accessories: TWO - HOOP - FOLD

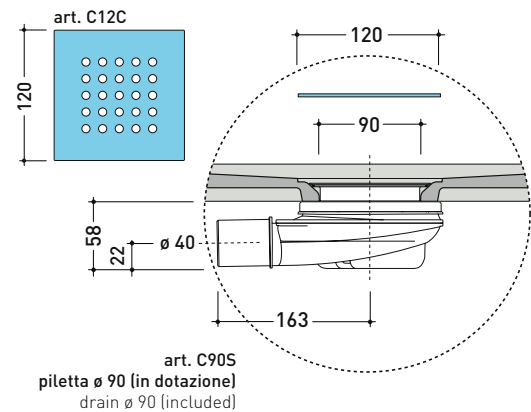
Technical accessories: **painting COLORED square cover (C12C)**

Package dim. **cm** | Weight **41 kg** | Pz. Pallet n° -

UNI EN 14527 Dop-No14527



PILETTA IN DOTAZIONE / INCLUDED DRAIN



Piletta sifonata / Drainage
Portata / Flow rate: 0,5 l/sec (EN 274 >0,4 l/sec)

