

2020

## 879120

### EAQUA URINAL AC

Infrared sensor fluxometer for all type of walls. Connected by electrical power

#### COMPATIBILITÀ:

- Urinal Sanitarblock

Package dim.

Weight 0,4 kg

Pz. Pallet n°

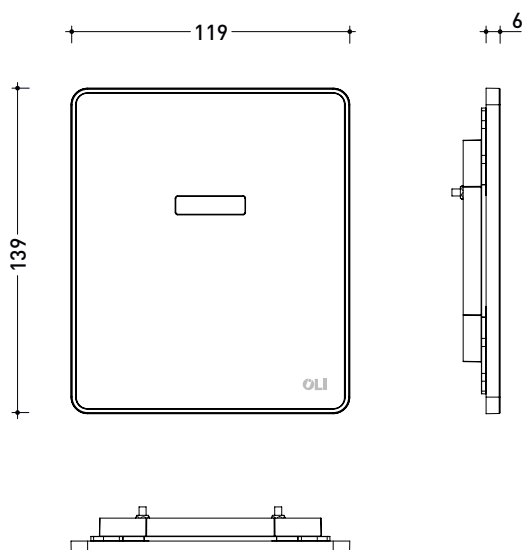
CE EN 14055 CL1

#### TECHNICAL FEATURES:

- Touch-free, electronically controlled urinal flush valve for concealed installation
- Brushed stainless-steel front plate
- Double infrared sensors (with automatic setting feature)
- Dynamic sensor: constantly adjusts the optimum range
- Temporary-off (cleaning) and short-on (manual flush) activate with touch
- Flush time and sensor sensitivity adjustable with touch
- 24- or 48-hour hygienic flush and pre-flush activate with touch
- Mains power supply 230/6V
- Dimensions: 139 X 119mm
- Vandal resistant
- Required pre-installation of **urinal concealed (cod- 879123)**

#### IMPORTANT:

The concealed pre-installation has to be installed before closing the wall



sizes in mm