

AS117G

Back to wall wc with goclean® system S/P trap

(drainage connectors art. LK1012 included)

Complements: **SLIM soft-closing thermosetting seat&cover** (ASCW05)
Niagara monoblock cistern (TR38)
Line accessories: TWO - HOOP - NOKÈ - FOLD

Package dim.

Weight 30 kg

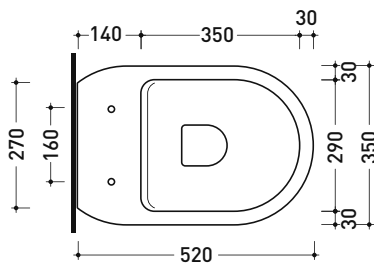
Pz. Pallet n° 15

UNI EN 997

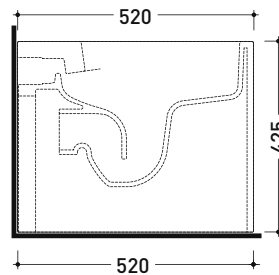
Dop-No997



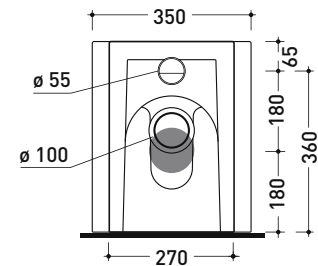
Flaminia does not recommend combining this toilet model with rapid-flow/flushometer systems or traditional high tanks



vista zenitale / zenital view

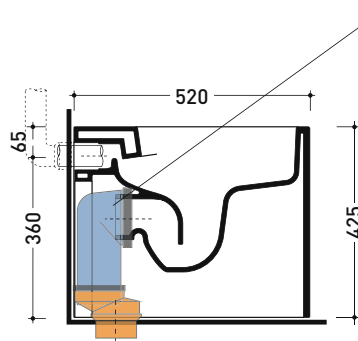


vista laterale / lateral view



vista retro / back view

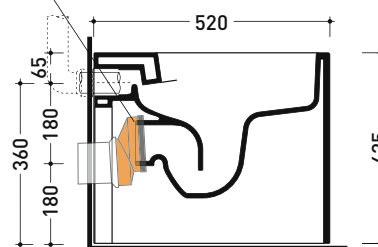
NOTICE: floor fixing by silicone



da/from 100 a/to 120 mm

sezione longitudinale / section

art. LK1012 (LKR90+LKR40)
 connessioni di scarico
 (in dotazione)
 drainage connector
 (included in the box)



sezione longitudinale / section

sizes in mm

Please consider a 2% tolerance on indicated measurements

CERAMIC: glossy finish



white

matt finish



milky white



carbone



cenere