

## X13055

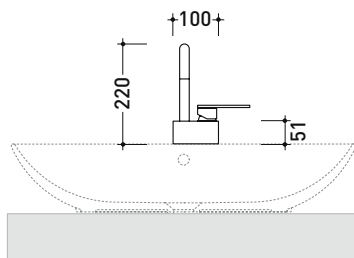
Single lever basin mixer (stop&go drain EXCLUDED)

Complements: stainless steel stop&go drain (PLX)

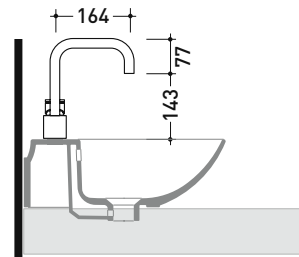
Package dim.

Weight **1,9 kg**

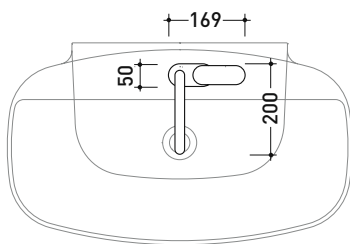
Pz. Pallet n° -



vista frontale / frontal view



vista laterale / lateral view



vista zenitale / zenital view

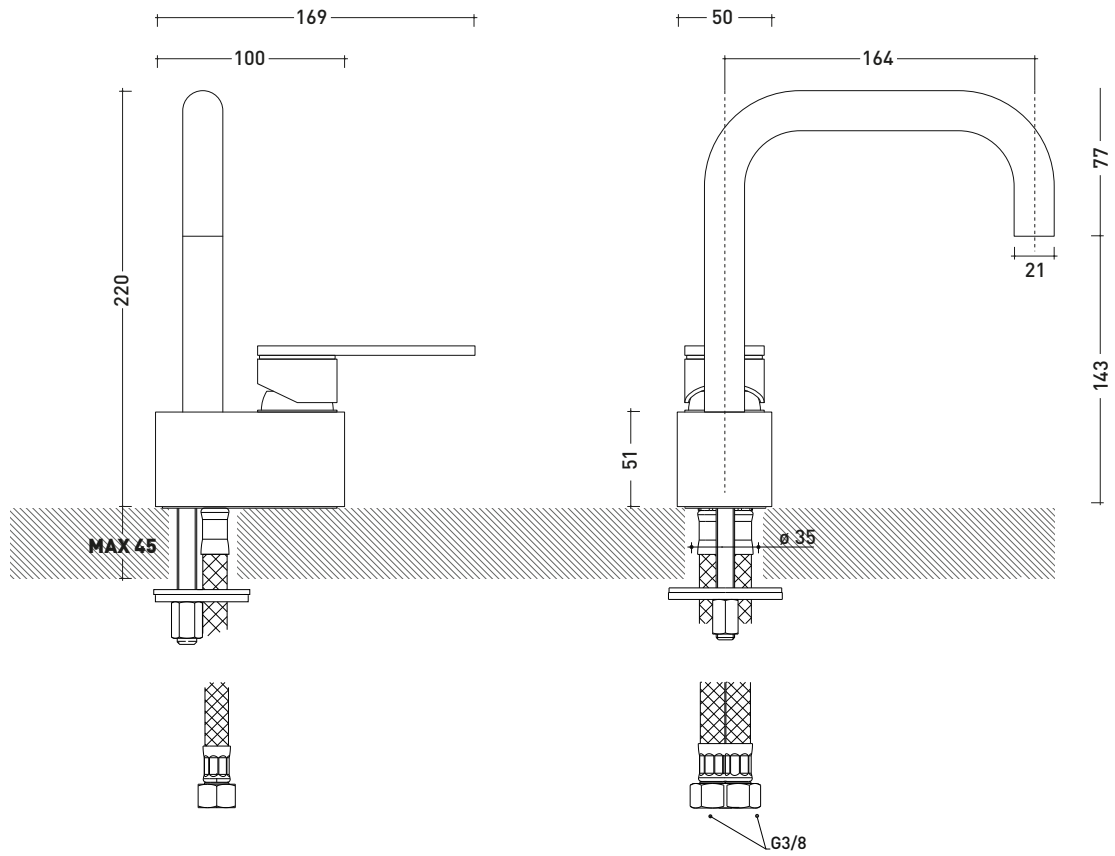
sizes in mm

**STAINLESS STEEL**



brushed

art. **X13055**



sizes in mm