

## TR38 + APP Wc btw goclean® (AP117G)

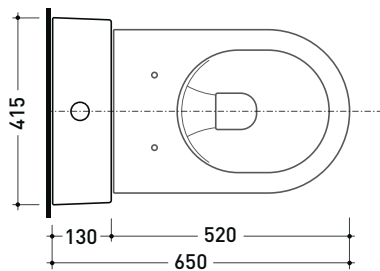
Monoblock cistern with wall trap (OLI 3-6 lt flushing system art. BSGE and drainage connector for floor trap art. TR38CON included)

Complements: **Astra wc back to wall goclean** (AS117G)  
**Link wc back to wall goclean** (LK117G)  
**Quick wc back to wall goclean** (QK117G)  
**Play wc back to wall gosilent** (PY117S)  
**AppSolution wc back to wall gosilent** (AP113S)  
**AppSolution wc back to wall gosilent** (AP114S)

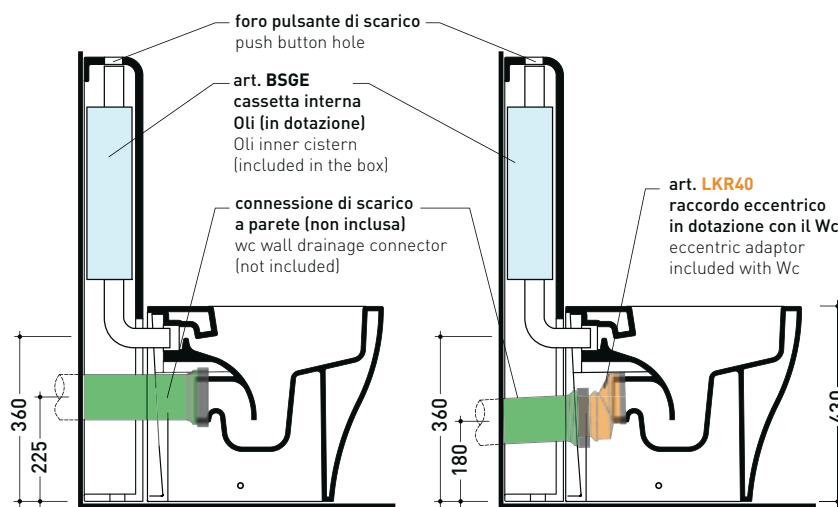
Package dim. 103 x 17,5 x 44 cm | Weight 28,3 kg | Pz. Pallet n° 12



WALL TRAP (S)

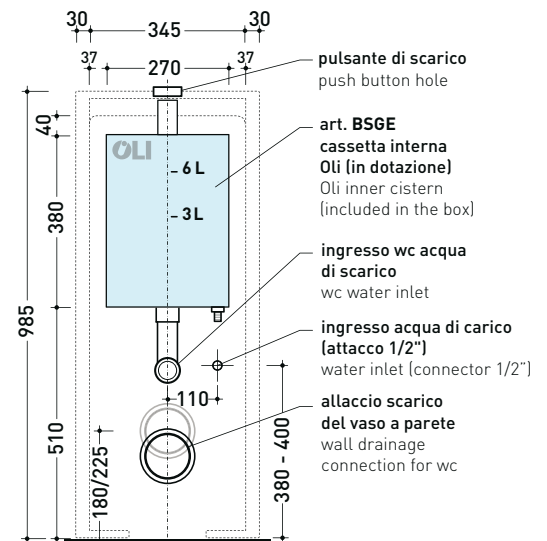


vista zenitale / zenital view



sezione longitudinale / section

sezione longitudinale / section



vista frontale parete / wall frontal view

## TR38 + APP Wc btw goclean® (AP117G)

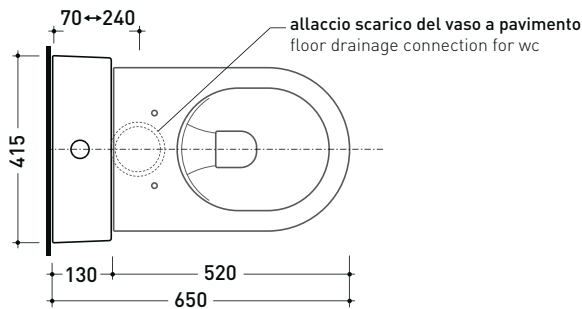
Monoblock cistern with floor trap until 20 cm  
(OLI 3-6 lt flushing system art. BSGE and drainage connector for floor trap art. TR38CON included)

Complements: **Astra wc back to wall goclean** (AS117G)  
**Link wc back to wall goclean** (LK117G)  
**Quick wc back to wall goclean** (QK117G)  
**Play wc back to wall gosilent** (PY117S)  
**AppSolution wc back to wall gosilent** (AP113S)  
**AppSolution wc back to wall gosilent** (AP114S)

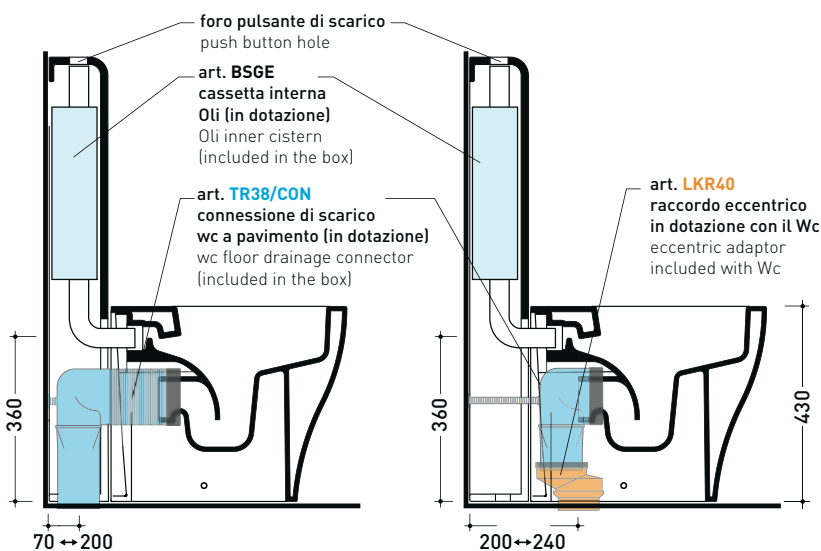
Package dim. 103 x 17,5 x 44 cm | Weight 28,3 kg | Pz. Pallet n° 12



FLOOR TRAP (S)

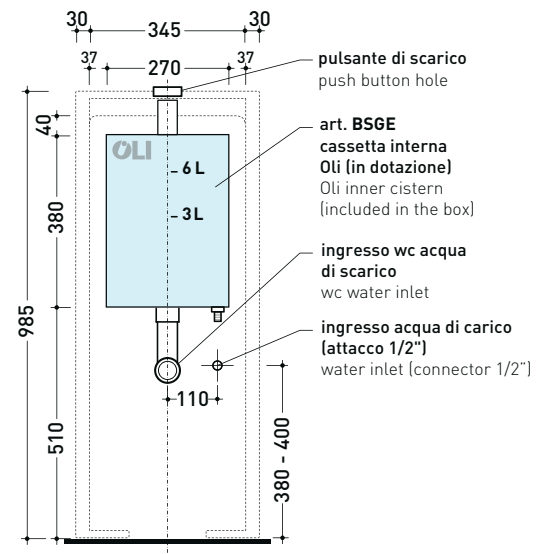


vista zenitale / zenital view



sezione longitudinale / section

sezione longitudinale / section



vista frontale parete / wall frontal view

## TR38 + APP Wc btw goclean® (AP117G)

Monoblock cistern with floor trap over 24 cm

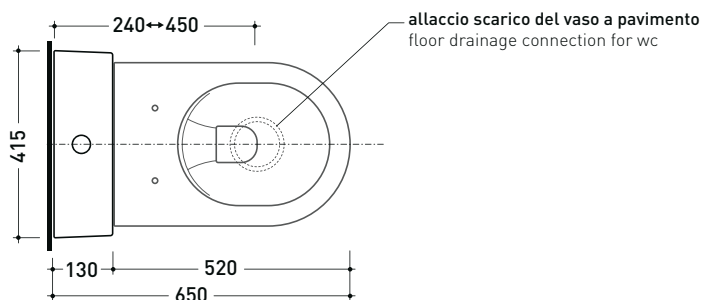
(OLI 3-6 lt flushing system art. BSGE and drainage connector for floor trap art. TR38CON included)

Complements: **Astra wc back to wall goclean** (AS117G)  
**Link wc back to wall goclean** (LK117G)  
**Quick wc back to wall goclean** (QK117G)  
**Play wc back to wall gosilent** (PY117S)  
**AppSolution wc back to wall gosilent** (AP113S)  
**AppSolution wc back to wall gosilent** (AP114S)

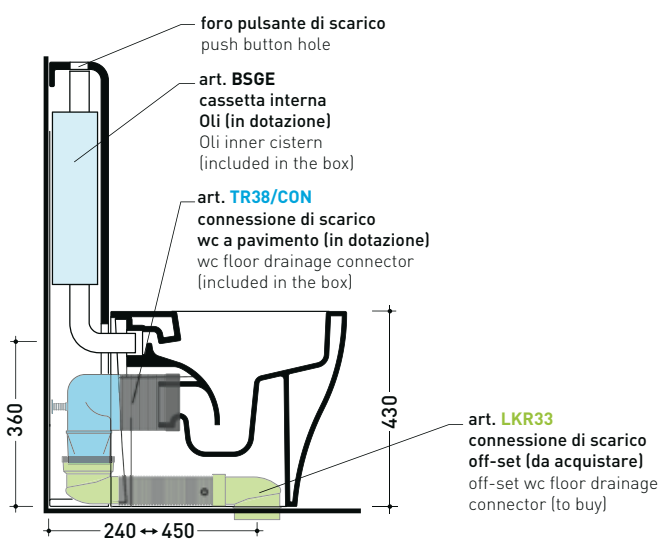
Package dim. 103 x 17,5 x 44 cm | Weight 28,3 kg | Pz. Pallet n° 12



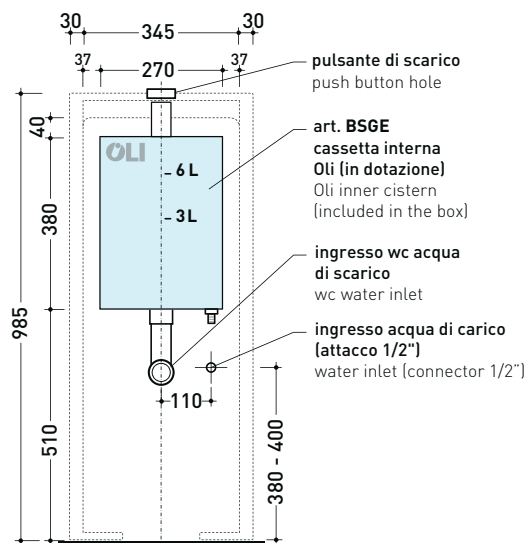
FLOOR TRAP (S)



vista zenitale / zenital view



sezione longitudinale / section



vista frontale parete / wall frontal view