

design **NENDO**

2010

RL56S Roll 56

Semi-inset basin 56 cm

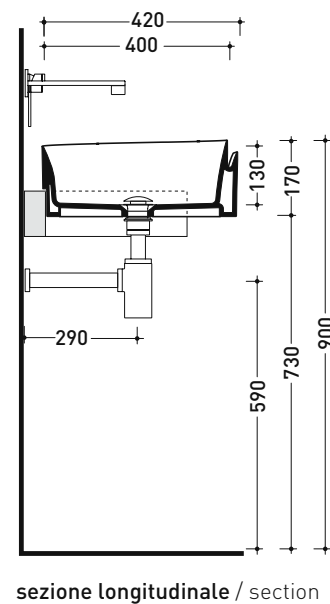
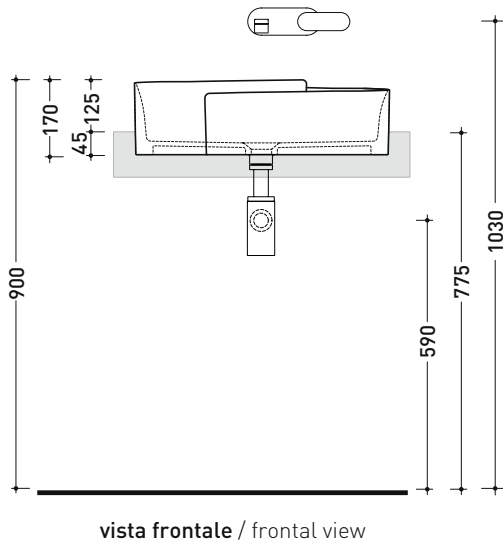
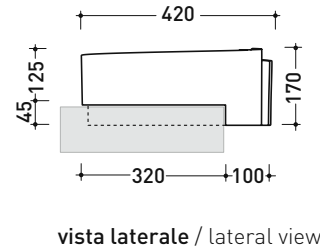
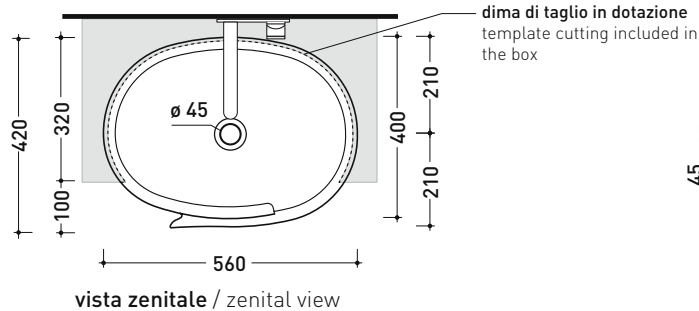
• without overflow • without tap ledge

Complements: **FORTY6 shelf (F6RL56S)**
Line taps basin: ONE - NOKÉ - SI - FOLD - X1 - STIL
Line accessories: TWO - HOOP - FOLD

Technical accessories: **Chrome siphon (SIFL/CR) - Telescopic chrome siphon (SIFL066)**
Stop & Go drain (PLSG)
CERAMIC Stop & Go drain (PLCE)
Chrome waste with automatic integrated overflow (PLTPCR)
Waste with automatic integrated overflow and ceramic cover (PLTPCE)

Package dim. 56,5 x 43 x 18,5 cm | Weight 12,7 kg | Pz. Pallet n° 24

CE UNI EN 14688 - CL00 Dop-No14688



sizes in mm

Please consider a 2% tolerance on indicated measurements