

PS31LM Pass 45x31

Countertop - wall hung small basin 45x31 cm

• with overflow • arranged for right/left single-hole tap

Complements: **Line taps basin: ONE - NOKÉ - FOLD**
Line accessories: TWO - HOOP - FOLD

Technical accessories: **Chrome siphon (SIFL/CR) - Telescopic chrome siphon (SIFL066)**
Stop & Go drain (PLSG)
CERAMIC Stop & Go drain (PLCE)
Two piece set chrome tap filters (RF026)
Fixing kit for wall (9002)

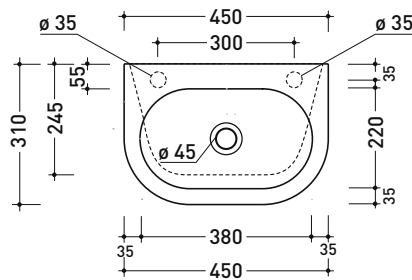
Package dim.

Weight **11 kg**

Pz. Pallet n° **36**

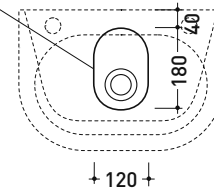
CE UNI EN 14688 - CL20

Dop-No14688

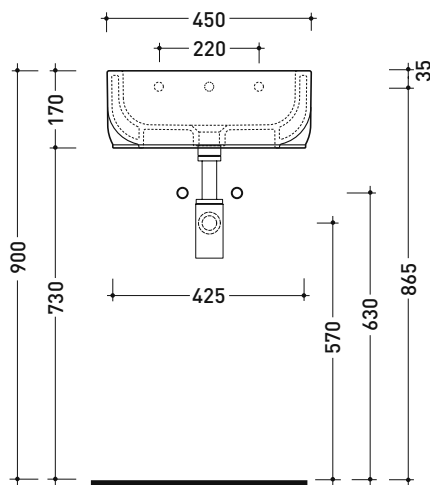


vista zenitale / zenital view

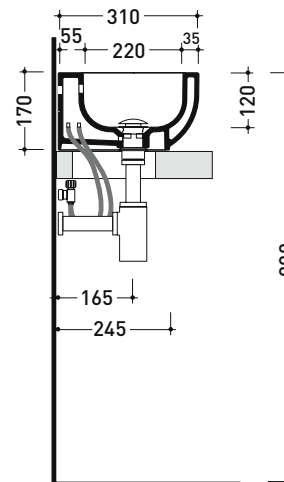
foro consigliato sul piano
suggested hole on the top



vista zenitale / zenital view



vista frontale / frontal view



sezione longitudinale / section

sizes in mm

Please consider a 2% tolerance on indicated measurements