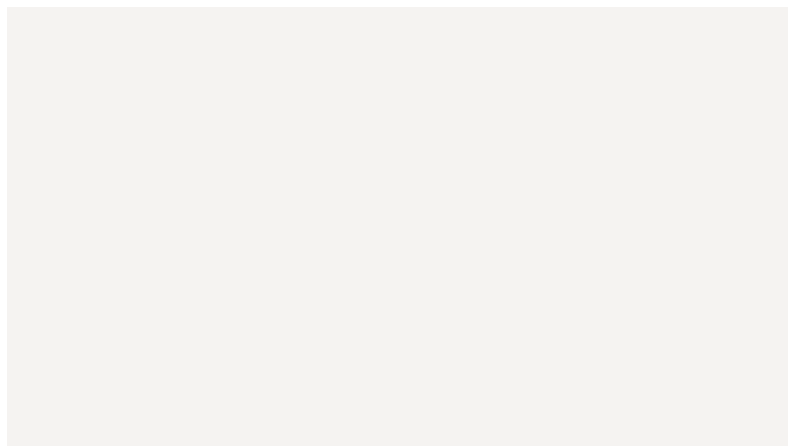


PLFR

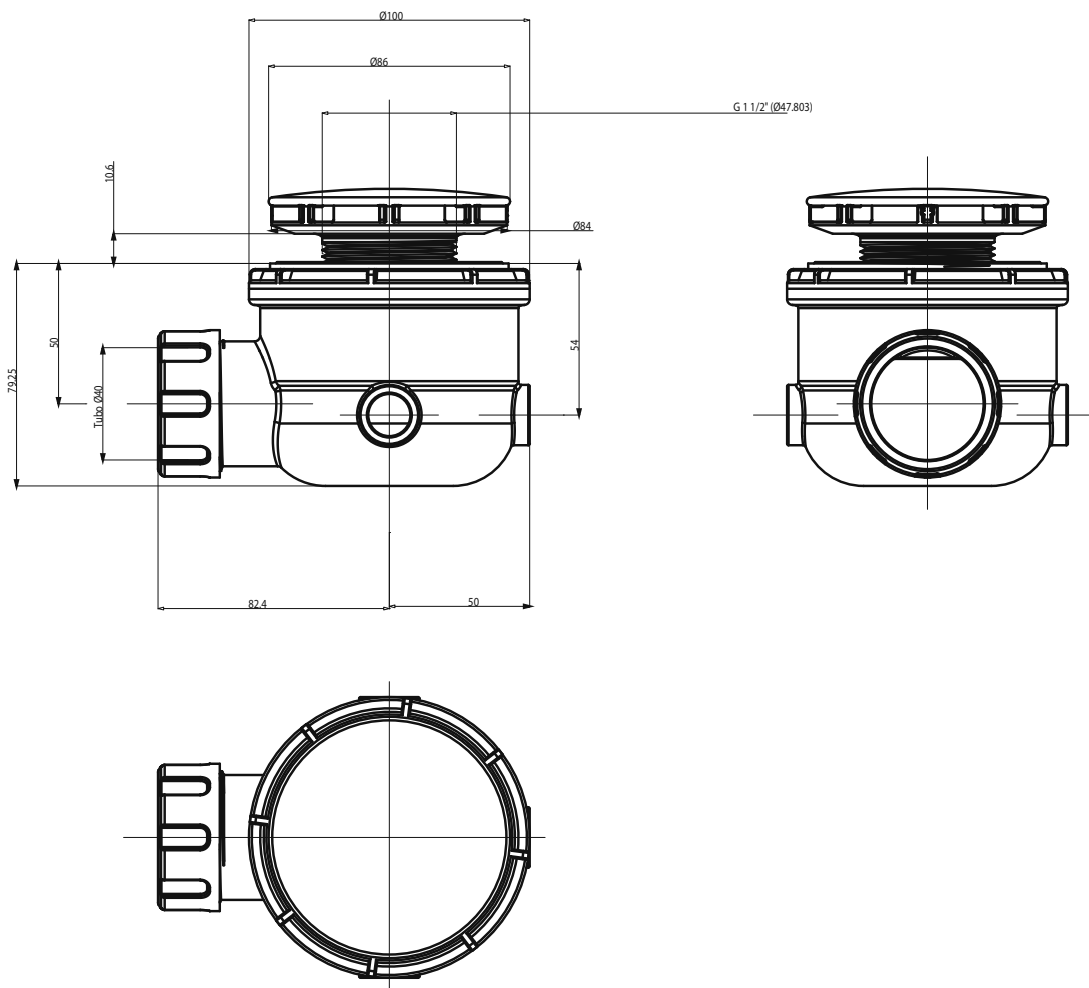
Drainage system with CHROME cover (ø 90 mm)



Package dim.

Weight 0,5 kg

Pz. Pallet n° -



sizes in mm

ABS: glossy finish



chrome