

design **PATRICK NORGUET**

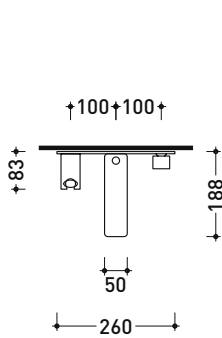
2007

## NK3290

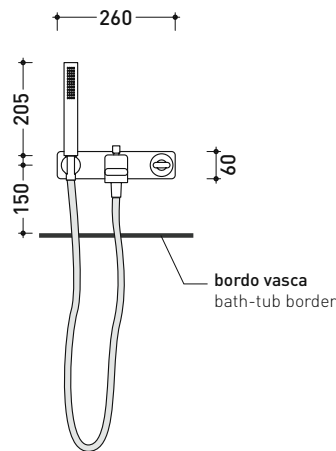
Concealed bath set with spout, mixer and hand-shower

Complements: Line accessories NOKÉ

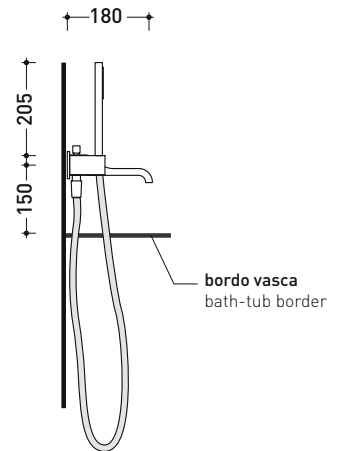
Package dim. 40 x 26 x 14 cm | Weight 5,6 kg | Pz. Pallet n° -



vista zenitale / zenital view



vista frontale / frontal view



vista laterale / lateral view

sizes in mm

BRASS: finish

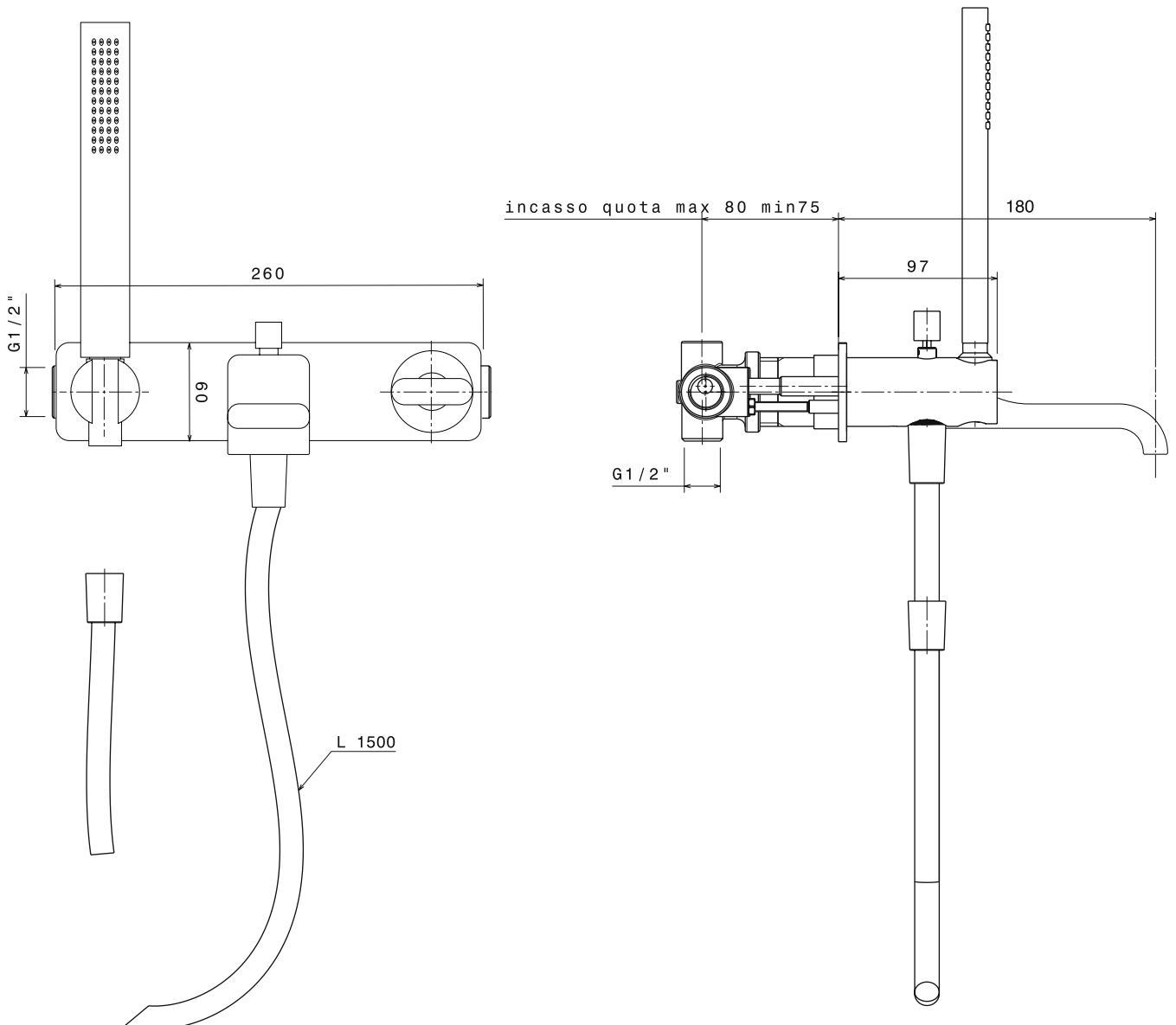


glossy chrome



mat black

art. **NK3290**



sizes in mm