

ND90L Nudafat 90

Wall hung console 90 cm

• without overflow • arranged for 3 holes tap

Complements: **Line taps basin:** ONE - NOKÉ - FOLD - X1 - STIL
Line accessories: TWO - HOOP - FOLD

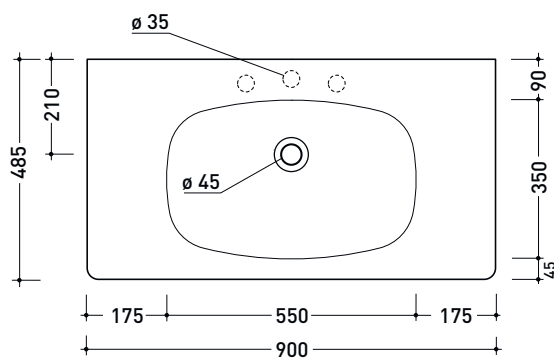
Technical accessories: **Chrome siphon (SIFL/CR) - Telescopic chrome siphon (SIFL066)**
Stop & Go drain (PLSG)
Two piece set chrome tap filters (RF026)
CERAMIC Stop & Go drain (PLCE)
Chrome waste with automatic integrated overflow (PLTPCR)
Waste with automatic integrated overflow and ceramic cover (PLTPCE)
Fixing kit for wall (9002)

Package dim.

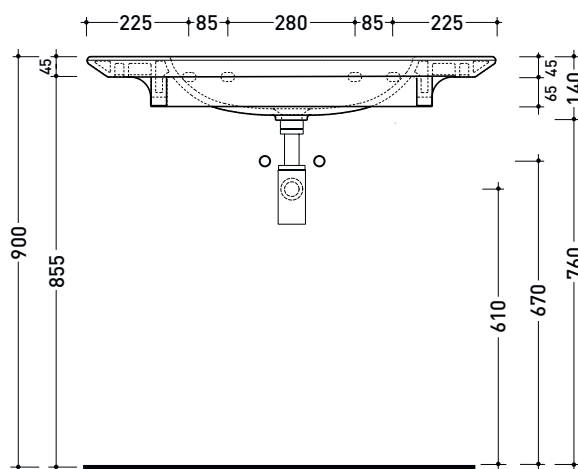
Weight 22 kg

Pz. Pallet n° 10

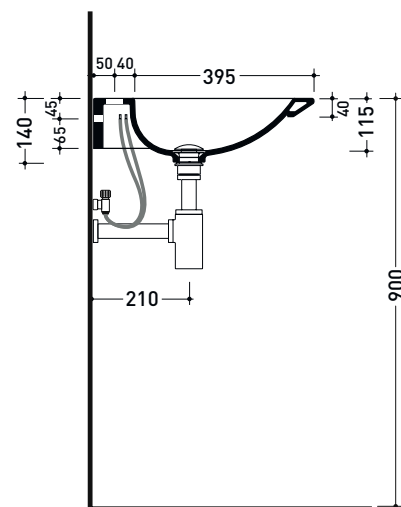
CE UNI EN 14688 - CL00 Dop-No14688



vista zenitale / zenital view



vista frontale / frontal view



sezione longitudinale / section

sizes in mm

Please consider a 2% tolerance on indicated measurements