

design LUDOVICA+ROBERTO PALOMBA

2017

ND60PR Nudaslim 60

Countertop - wall hung basin 60 cm with tap ledge

• with overflow • arranged for three holes tap

Complements: FORTY6 shelf (F6ND)
 CUBIKA wall hung vanity units depth 37 cm
 Struttura Filo 75 (FI75SV - FI75SC)
 Line taps basin: ONE - NOKÉ - FOLD - X1 - STIL
 Line accessories: TWO - HOOP - FOLD

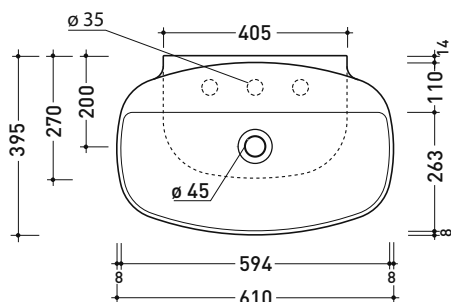
Technical accessories: Chrome siphon (SIFL/CR) - Telescopic chrome siphon (SIFL066)
 Stop & Go drain (PLSG)
 Two piece set chrome tap filters (RF026)
 CERAMIC Stop & Go drain (PLCE)
 Fixing kit for wall (9002)

Package dim.

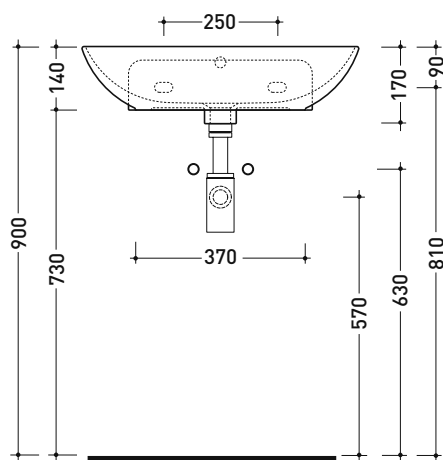
Weight 12,5 kg

Pz. Pallet n° 12

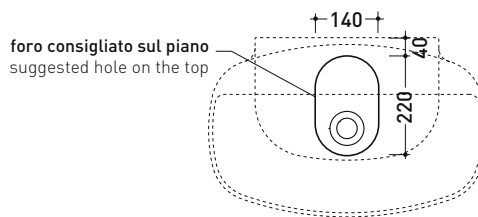
CE UNI EN 14688 - CL20 Dop-No14688



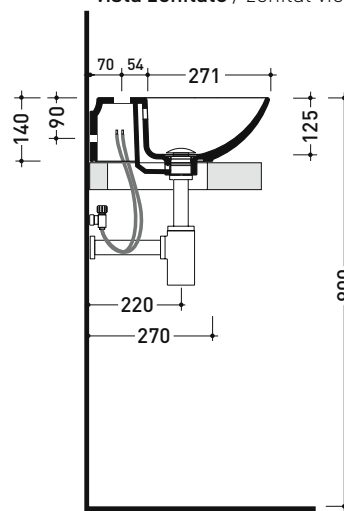
vista zenitale / zenital view



vista frontale / frontal view



vista zenitale / zenital view



sezione longitudinale / section

sizes in mm

Please consider a 2% tolerance on indicated measurements