

ND60L Nudaslim 60

Countertop - wall hung basin 60 cm

• WITHOUT OVERFLOW • WITHOUT TAP LEDGE

Complements: FORTY6 shelf (F6ND)
 BOX wall hung vanity units depth 37 cm
 CUBIKA wall hung vanity units depth 37 cm
 Struttura Filo 75 (FI75SV - FI75SC)
 Line taps basin: ONE - NOKÈ - FOLD - X1
 Line accessories: TWO - HOOP - NOKÈ - FOLD

Technical accessories: Chrome siphon (SIFL/CR) - Telescopic chrome siphon (SIFL066)
 Stop & Go drain (PLSG)
 CERAMIC Stop & Go drain (PLCE)
 Chrome waste with automatic integrated overflow (PLTPCR)
 Waste with automatic integrated overflow and ceramic cover (PLTPCE)
 Fixing kit for wall (9002)

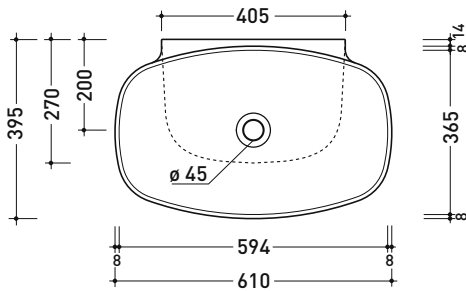
Package dim.

Weight 10 kg

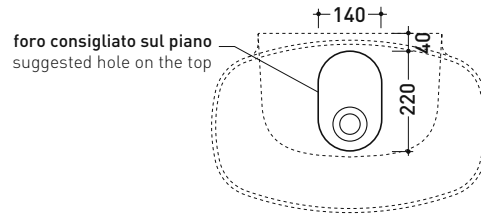
Pz. Pallet n° 12

UNI EN 14688 - CL00

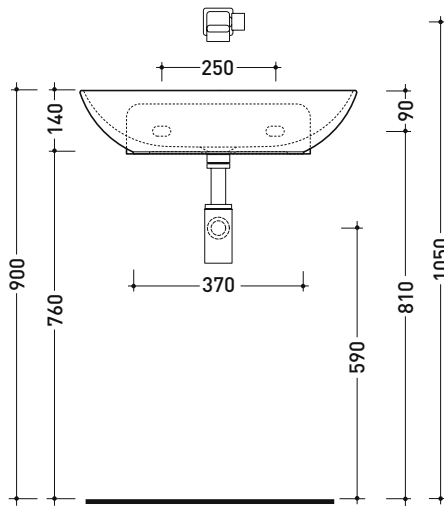
Dop-No14688



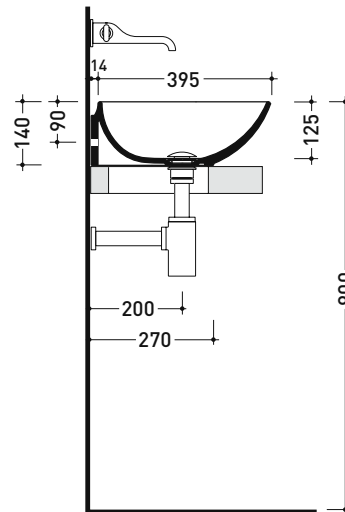
vista zenitale / zenital view



vista zenitale / zenital view



vista frontale / frontal view



sezione longitudinale / section

sizes in mm

Please consider a 2% tolerance on indicated measurements

CERAMIC: glossy finish



white black

matt finish



milky white carbone argilla cenere nuvola fango rosso rubens petrolio