

MN54L Mono' 54

Countertop - wall hung basin 54 cm

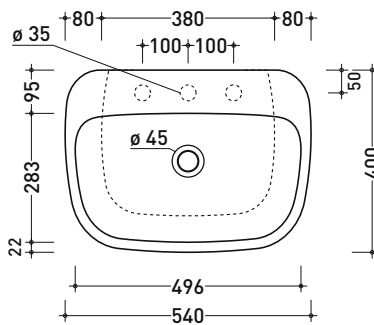
• without overflow • arranged for three tap holes

Complements: FORTY6 shelf (F6ND)
 Struttura FILO 60 / 75 (FI60SV - FI75SV - FI75SC)
 CUBIKA wall hung vanity units depth 37 cm
 Line taps basin: ONE - NOKÉ - FOLD - SI - X1 - STIL
 Line accessories: TWO - HOOP - FOLD

Technical accessories: Chrome siphon (SIFL/CR) - Telescopic chrome siphon (SIFL066)
 Stop & Go drain (PLSG)
 CERAMIC Stop & Go drain (PLCE)
 Chrome waste with automatic integrated overflow (PLTPCR)
 Waste with automatic integrated overflow and ceramic cover (PLTPCE)
 Two piece set chrome tap filters (RF026)
 Fixing kit for wall (9002)

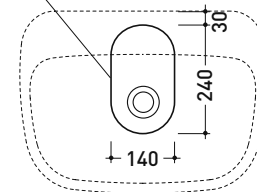
Package dim. 55 x 19,5 x 41 cm | Weight 19,5 kg | Pz. Pallet n° 15

UNI EN 14688 - CL00 Dop-No14688

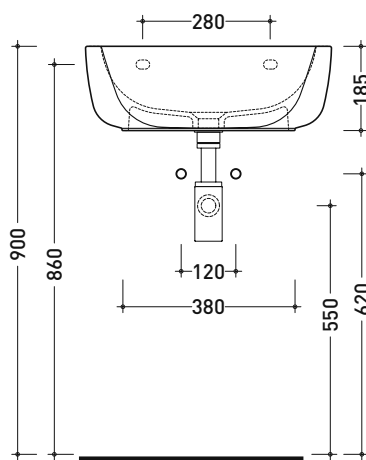


vista zenitale / zenital view

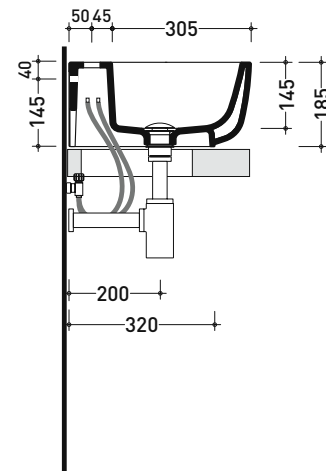
foro consigliato sul piano
suggested hole on the top



vista zenitale / zenital view



vista frontale / frontal view



sezione longitudinale / section