

## MN117

Back to wall wc with S/P trap (drainage connector for floor trap art. TR/CON and floor fixing kit art. 9003 included)

Complements: **Soft-closing thermosetting wrapping seat&cover (MNCW03)**  
**Line accessories: TWO - HOOP - FOLD**

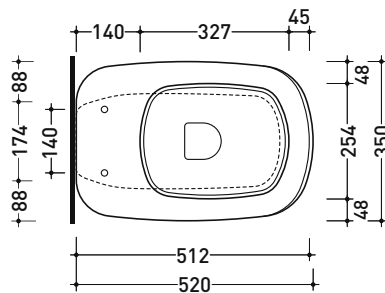
Package dim. 53 x 35,5 x 43 cm | Weight 31,5 kg | Pz. Pallet n° 15

UNI EN 997

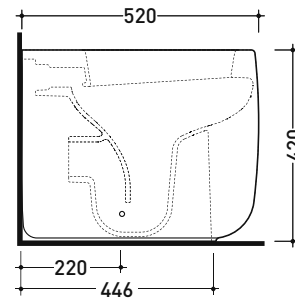
Dop-No997



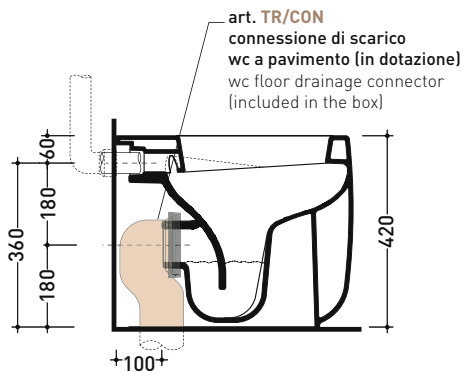
FLAMINIA does not recommend combining this toilet model with rapid-flow/flushometer systems or traditional high tanks



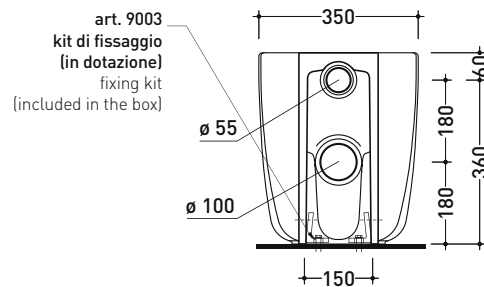
vista zenitale / zenital view



vista laterale / lateral view



sezione longitudinale / section



vista retro / back view