

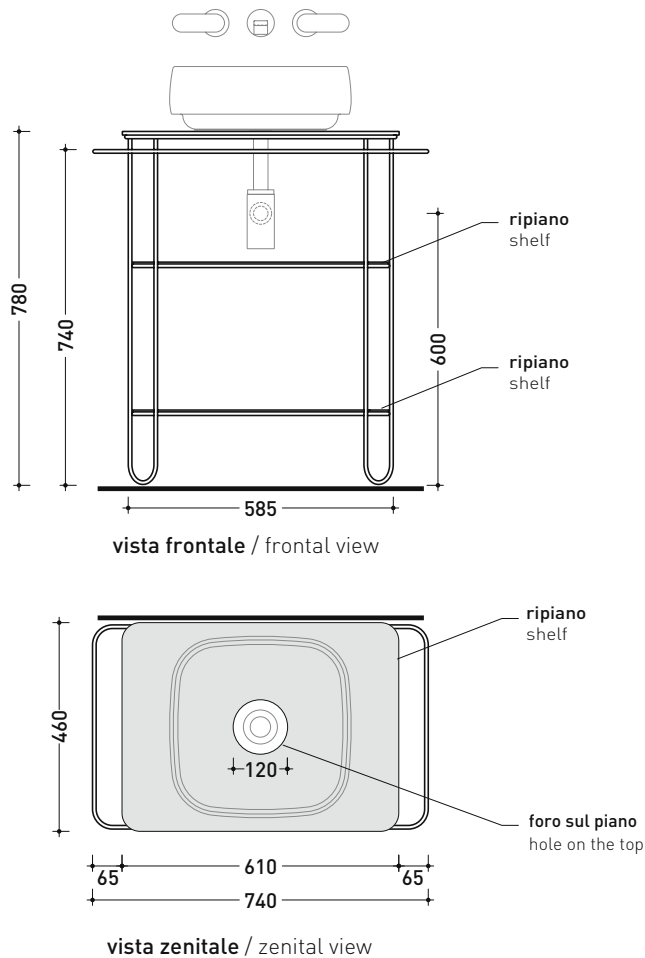
## FI60SV Filo 60

Varnished stainless steel structure with shelves in gres suitable for countertop basins

Complements: **COUNTERTOP BASINS:**  
**App 40** (AP40A) - **Boll** (BL42L - BL56L) - **Bonola 46** (BN46A) -  
**Flag** (FG40A - FG50A) - **Miniwash** (MWL40 - MWL48) - **Nuda-Slim 60** (ND60A) - **Play** (PY42A - PY52A) - **Roll** (RL44L - RL56L) -  
**Settecento** (SE44C) - **TwinSet Slim** (TW42C)

Technical accessories: **Mat black siphon** (SIFLNE)

Package dim. **cm** | Weight **22 kg** | Pz. Pallet n° -



sizes in mm

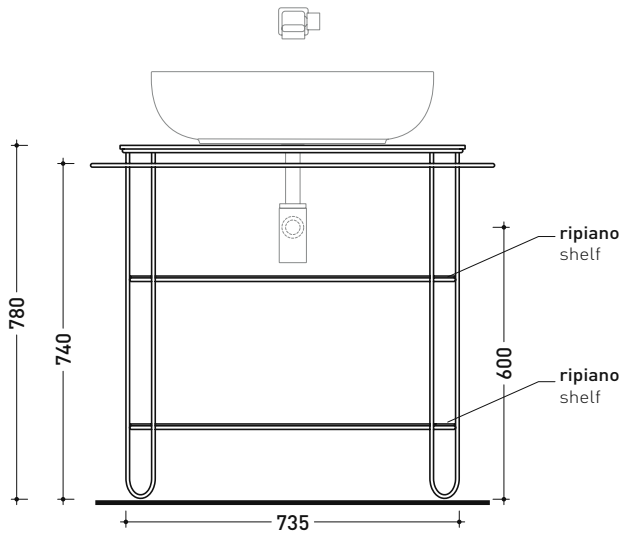
## FI75SV Filo 75

Varnished stainless steel structure with shelves in gres suitable for countertop basins

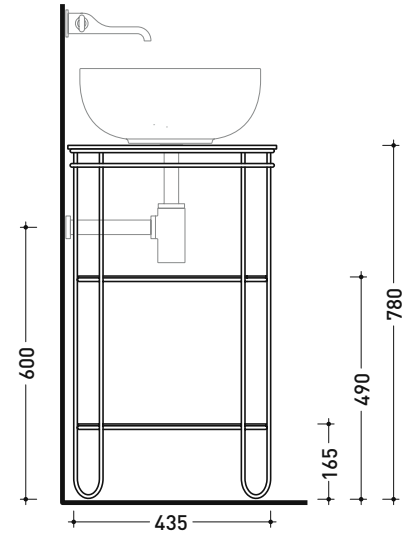
Complements: **COUNTERTOP BASINS CENTRAL-TOP:**  
**App** (AP40A - AP62A) - **Boll** (BL42L - BL56L) - **Bonola 46** (BN46A) - **Flag** (FG40A - FG50A) - **Miniwash** (MWL40 - MWL48 - MWL60) - **NudaSlim 60** (ND60A) - **Pass** (PS62C) - **Play** (PY42A - PY52A - PY62A) - **Roll** (RL44L - RL56L) - **Settecento** (SE44C) - **TwinSet Slim** (TW42C)  
**COUNTERTOP BASINS WITH TAP LEDGE:**  
**Flag 64** (FG64L) - **Fluo** (FU60L - FU70L) - **Miniwash 60** (MW60PR) - **Monò 54** (MN54L) - **NudaSlim 60** (ND60PR - ND60L)

Technical accessories: **Mat black siphon (SIFLNE)**

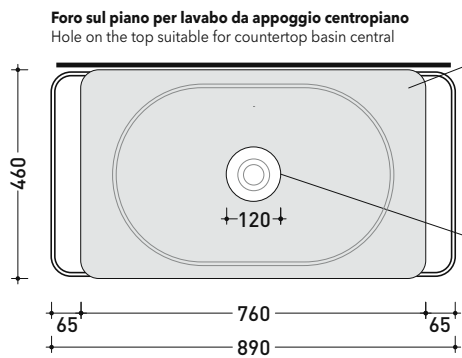
Package dim. cm | Weight 26 kg | Pz. Pallet n° -



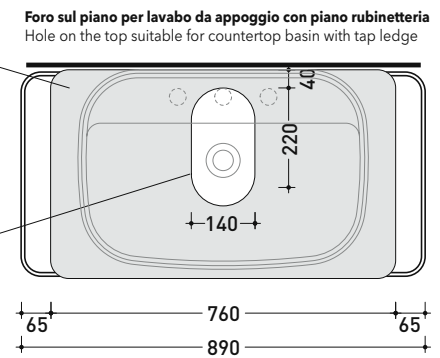
vista frontale / frontal view



vista laterale / lateral view



vista zenitale / zenital view



vista zenitale / zenital view

sizes in mm



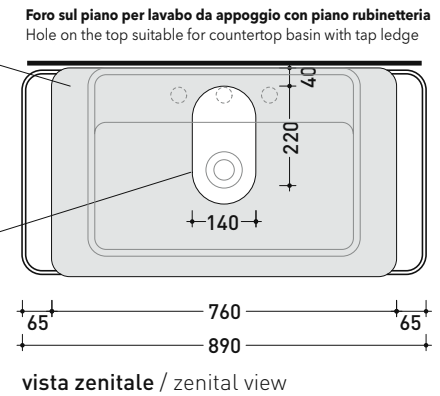
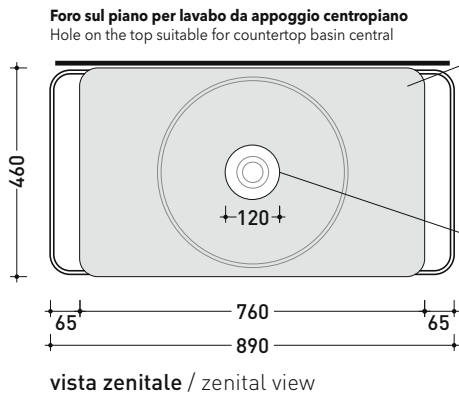
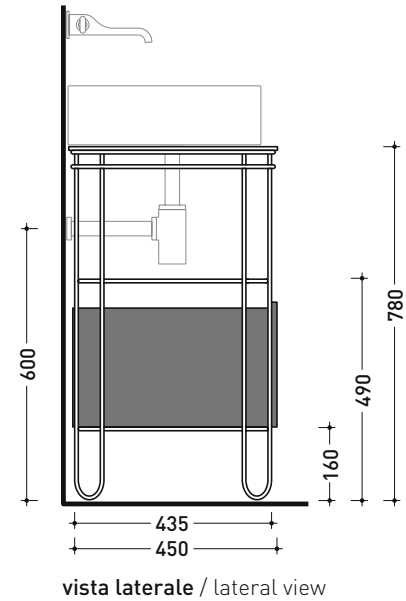
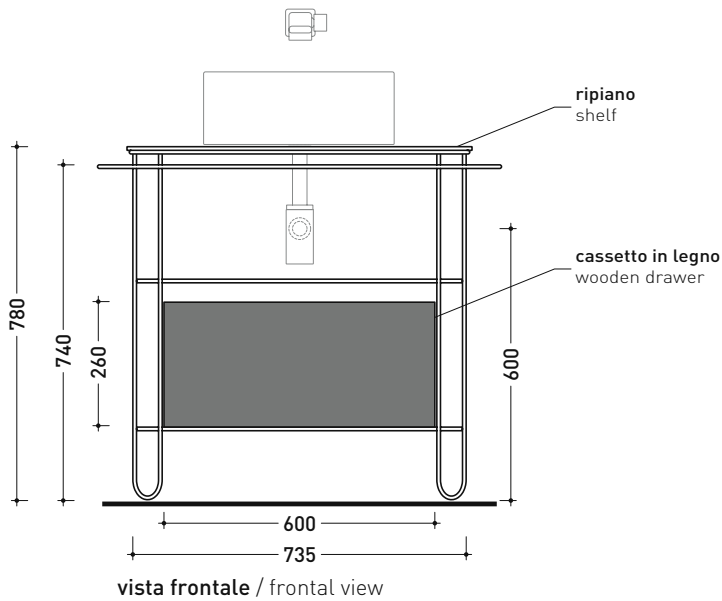
## FI75SC Filo 75

Varnished stainless steel structure with top in gres and lacquered wood drawer suitable for countertop basins

Complements: **COUNTERTOP BASINS CENTRAL-TOP:**  
**App** (AP40A - AP62A) - **Boll** (BL42L - BL56L) - **Bonola 46** (BN46A) - **Flag** (FG40A - FG50A) - **Miniwash** (MWL40 - MWL48 - MWL60) - **NudaSlim 60** (ND60A) - **Pass** (PS62C) - **Play** (PY42A - PY52A - PY62A) - **Roll** (RL44L - RL56L) - **Settecento** (SE44C) - **TwinSet Slim** (TW42C)  
**COUNTERTOP BASINS WITH TAP LEDGE:**  
**Flag 64** (FG64L) - **Fluo** (FU60L - FU70L) - **Miniwash 60** (MW60PR) - **Monò 54** (MN54L) - **NudaSlim 60** (ND60PR - ND60L)

Technical accessories: **Mat black siphon (SIFLNE)**

Package dim. cm | Weight 48 kg | Pz. Pallet n° -



sizes in mm



design **ALESSIO PINTO**

2021

## FI46SV Filo 46

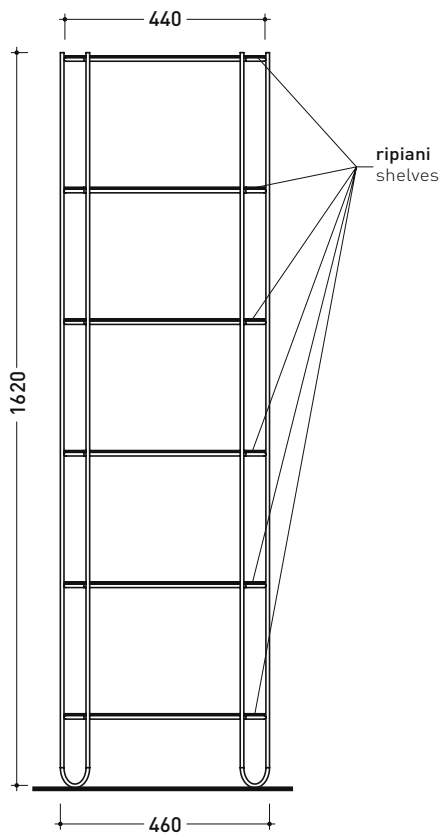
Varnished stainless steel shelf with six shelves



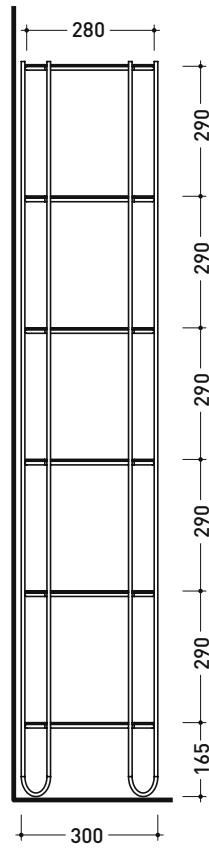
Package dim. **cm**

Weight **22 kg**

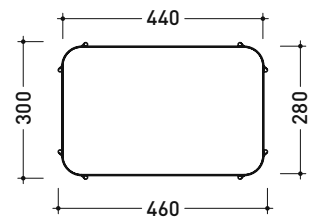
Pz. Pallet n° -



vista frontale / frontal view



vista laterale / lateral view



vista zenitale / zenital view

sizes in mm