

design **LORENZO DAMIANI**

2010

## FL3059

Concealed single-lever mixer with wall spout (stop&go drain included)

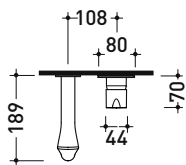
Complements: **Line accessories FOLD**



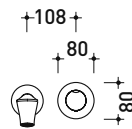
Package dim.

Weight **1,8 kg**

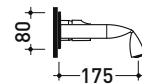
Pz. Pallet n° -



**vista zenitale** / zenital view



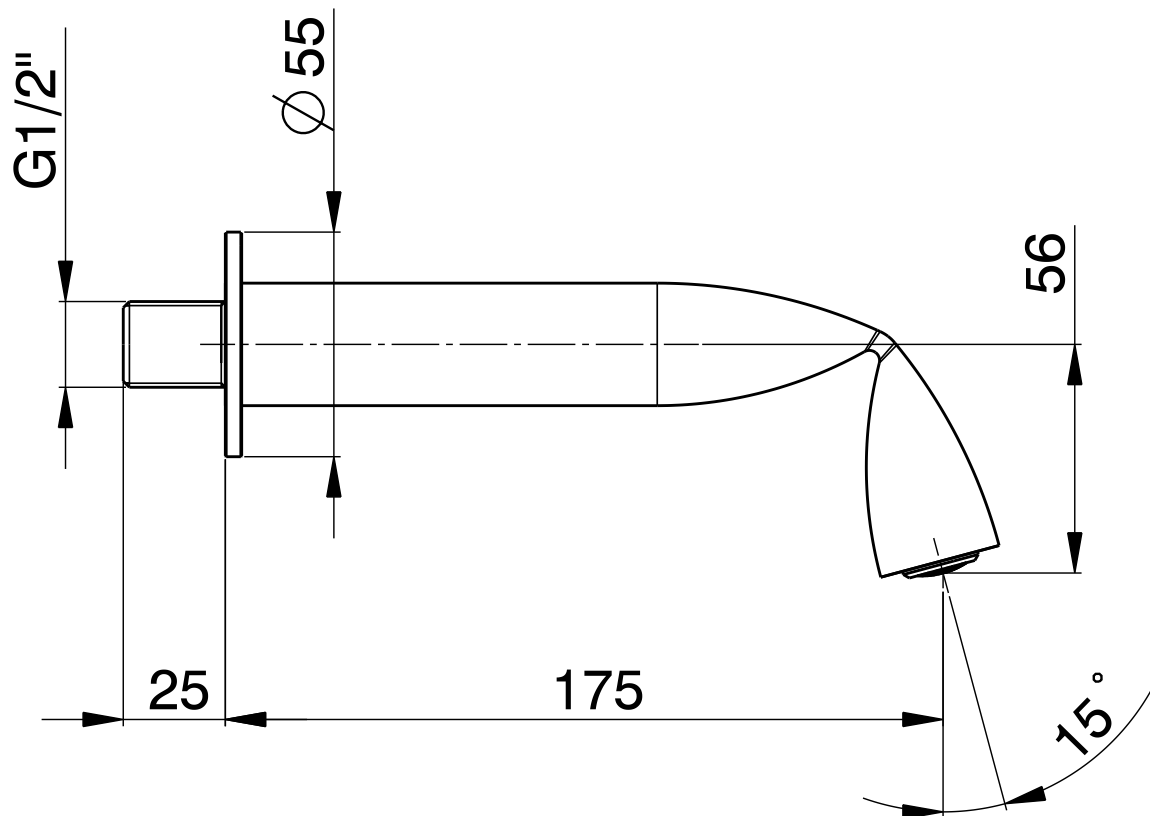
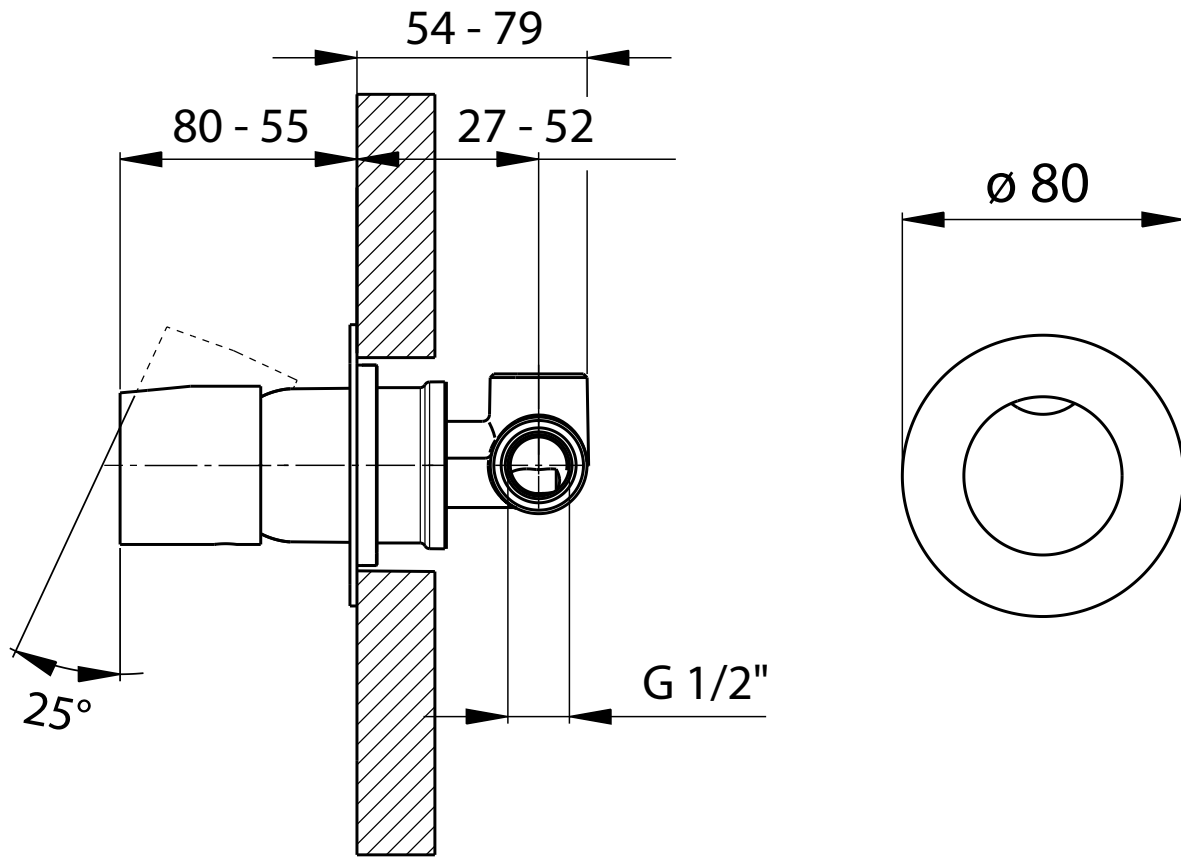
**vista frontale** / frontal view



**vista laterale** / lateral view

sizes in mm

art. **FL3059**



sizes in mm