

F6FNT suitable for Fonte 50 (FN50L)

Shelf from 80 to 250 x 46 x h 10 cm suitable for Fonte 50 basin
(fixing brackets included)

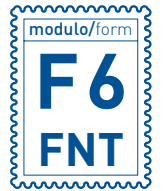
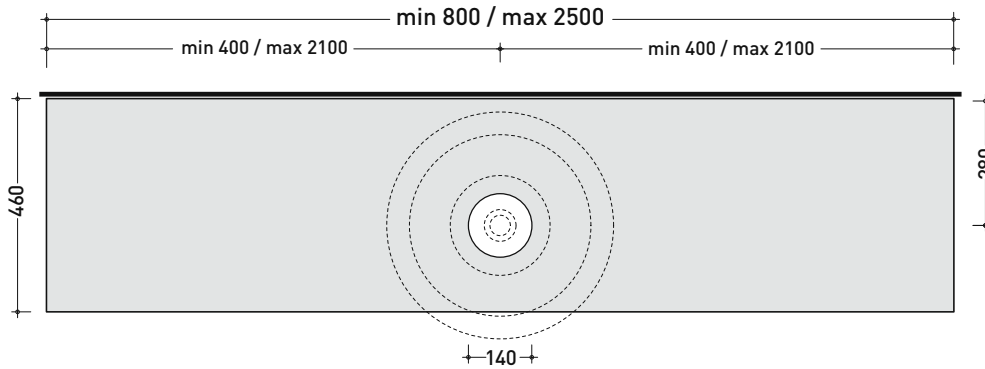
Complements: MAKE-UP mirrors and lamps
APP mirrors
FLAG mirrors
MADRE mirror



TAP HOLES ARE NOT MADE ON THIS ARTICLE BY FLAMINIA

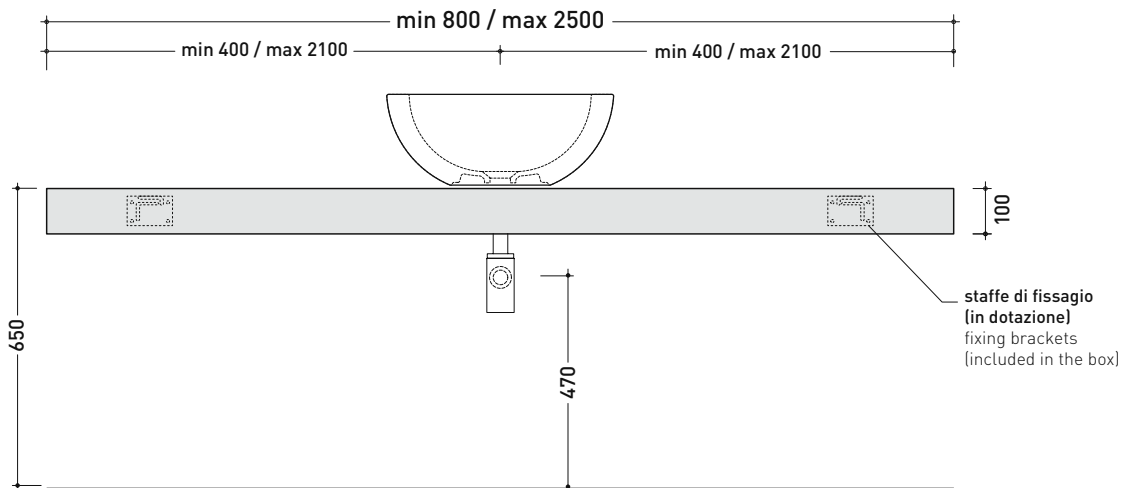


vista zenitale / zenital view



REFERENCE TO
THE COMPULSORY
ORDER FORM

vista frontale / frontal view



sizes in mm

PIETRALUCE: glossy finish



white black marine blue red beige sand grey

matt finish



milky white carbone argilla cenere

F6FNT suitable for Fonte Tonda (FT52L)

Shelf from 80 to 250 x 46 x h 10 cm suitable for Fonte Tonda basin
(fixing brackets included)

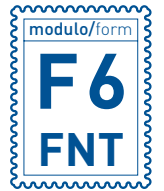
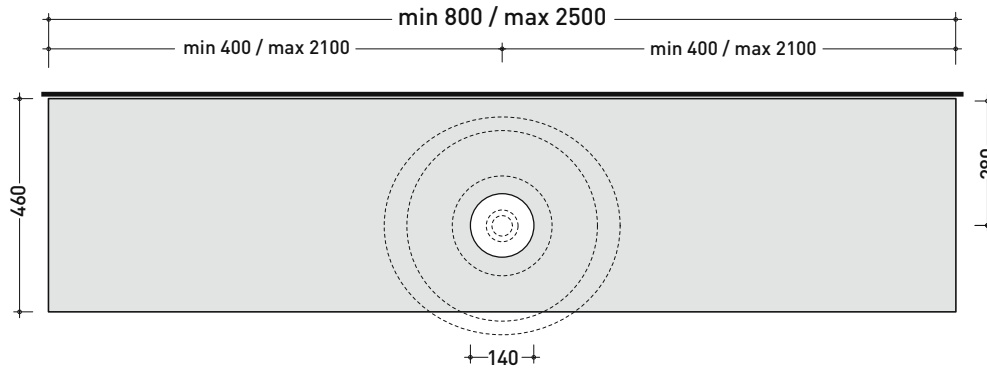
Complements: MAKE-UP mirrors and lamps
APP mirrors
FLAG mirrors
MADRE mirror



TAP HOLES ARE NOT MADE ON THIS ARTICLE BY FLAMINIA

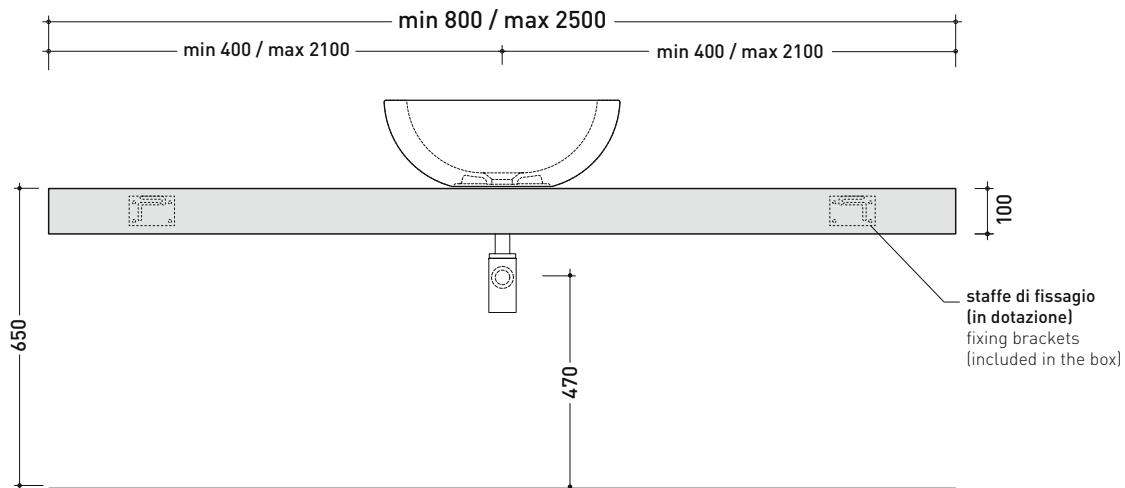


vista zenitale / zenital view



REFERENCE TO
THE COMPULSORY
ORDER FORM

vista frontale / frontal view



sizes in mm

PIETRALUCE: glossy finish



white black marine blue red beige sand grey

matt finish



milky white carbone argilla cenere

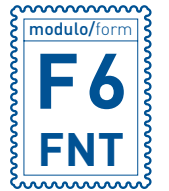
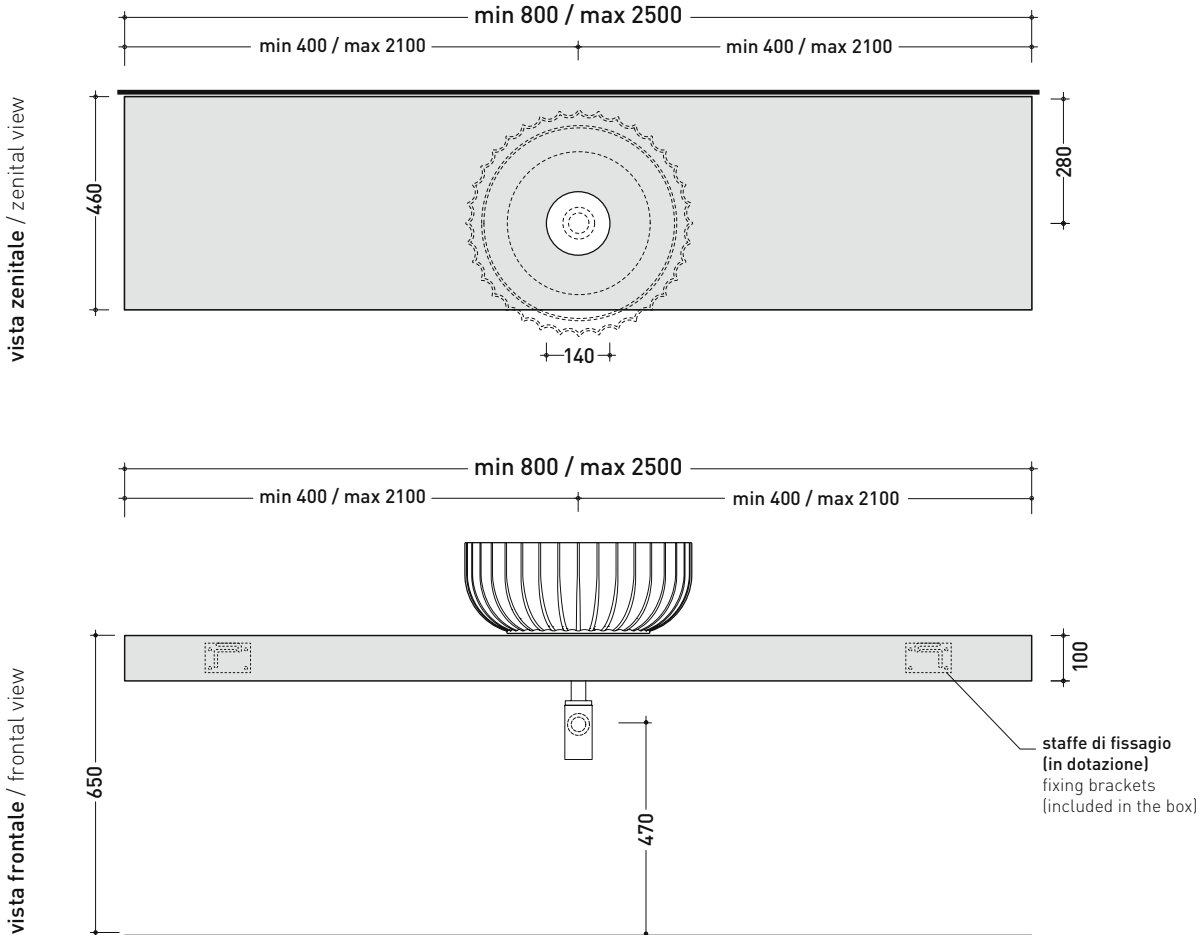
F6FNT suitable for Settecento (SE50A)

Shelf from 80 to 250 x 46 x h 10 cm suitable for Settecento basin
(fixing brackets included)

Complements: MAKE-UP mirrors and lamps
APP mirrors
FLAG mirrors
MADRE mirror



TAP HOLES ARE NOT MADE ON THIS ARTICLE BY FLAMINIA



REFERENCE TO
THE COMPULSORY
ORDER FORM

sizes in mm

PIETRALUCE: glossy finish



white black marine blue red beige sand grey

matt finish



milky white carbone argilla cenere



MODULO PER LA REALIZZAZIONE DELLE MENSOLE **FORTY6** A MISURA PER ART. **FN50L / FT52L / SE50A**

FORTY6 CUSTOMIZED SHELVES FOR ART. **FN50L / FT52L / SE50A** FORM



E' obbligatorio fotocopiare questa pagina, compilarla con cura e allegarla all'ordine.
It is compulsory to photocopy this page, carefully fill in and attach to the order.

➔➔ **1**

DETTAGLI ORDINE / ORDER DETAILS

ordinante - buyer	cliente - client
ordine - order n:	data - date:
ref.:	
annotazioni - notes	

➔➔ **2**

SCELTA ARTICOLO / ITEM CHOICE

E' importante consultare prima la scheda tecnica relativa
It's important to consult before the technical detail

art. F6FNT
mensola / shelf da / from **80 a / to 250 cm**

➔➔ **3**

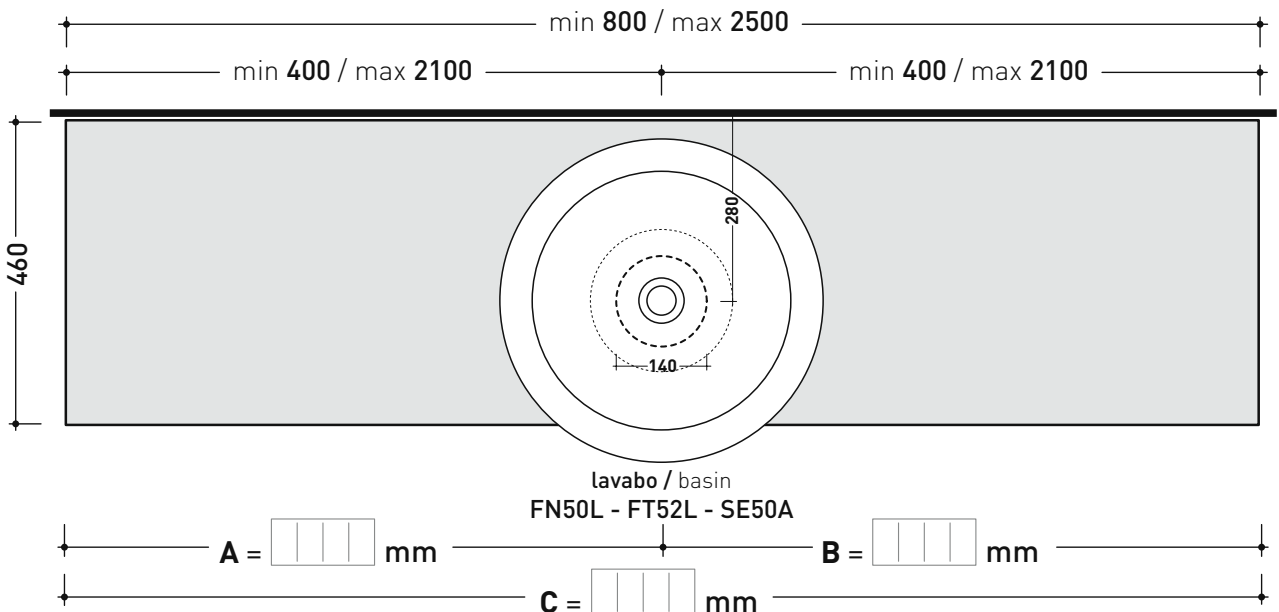
SCELTA MATERIALE / MATERIAL SELECTION

PIETRALUCE lucida / glossy		PIETRALUCE opaco / mat	
<input type="checkbox"/> bianco - white	<input type="checkbox"/> sabbia - sand	<input type="checkbox"/> argilla - argilla	<input type="checkbox"/> carbone - carbone
<input type="checkbox"/> grigio - grey	<input type="checkbox"/> nero - black	<input type="checkbox"/> latte - milky white	
<input type="checkbox"/> beige - beige	<input type="checkbox"/> rosso cuoio - red	<input type="checkbox"/> cenere - cenere	
<input type="checkbox"/> blu ultram. - marine blue			

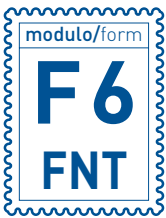
➔➔ **4**

SCELTA MISURE / MEASURES

➔ FLAMINIA



• **A** = misura interasse lavabo da sinistra / left distance of basin. • **C** = misura totale della mensola / total length of the shelf.
• **B** = misura interasse lavabo da destra / right distance of basin. • verificare sempre che / verify that: **A + B = C**.



MODULO PER LA REALIZZAZIONE DELLE MENSOLE **FORTY6** A MISURA PER DOPPIO ART. **FN50L / FT52L / SE50A**

FORTY6 CUSTOMIZED SHELVES FOR DOUBLE ART. FN50L / FT52L / SE50A FORM



E' obbligatorio fotocopiare questa pagina, compilarla con cura e allegarla all'ordine.
It is compulsory to photocopy this page, carefully fill in and attach to the order.

➔➔ **1** DETTAGLI ORDINE / ORDER DETAILS

ordinante - buyer		cliente - client	
ordine - order n:	data - date:	ref.:	
annotazioni - notes			

➔➔ **2** SCELTA ARTICOLO / ITEM CHOICE

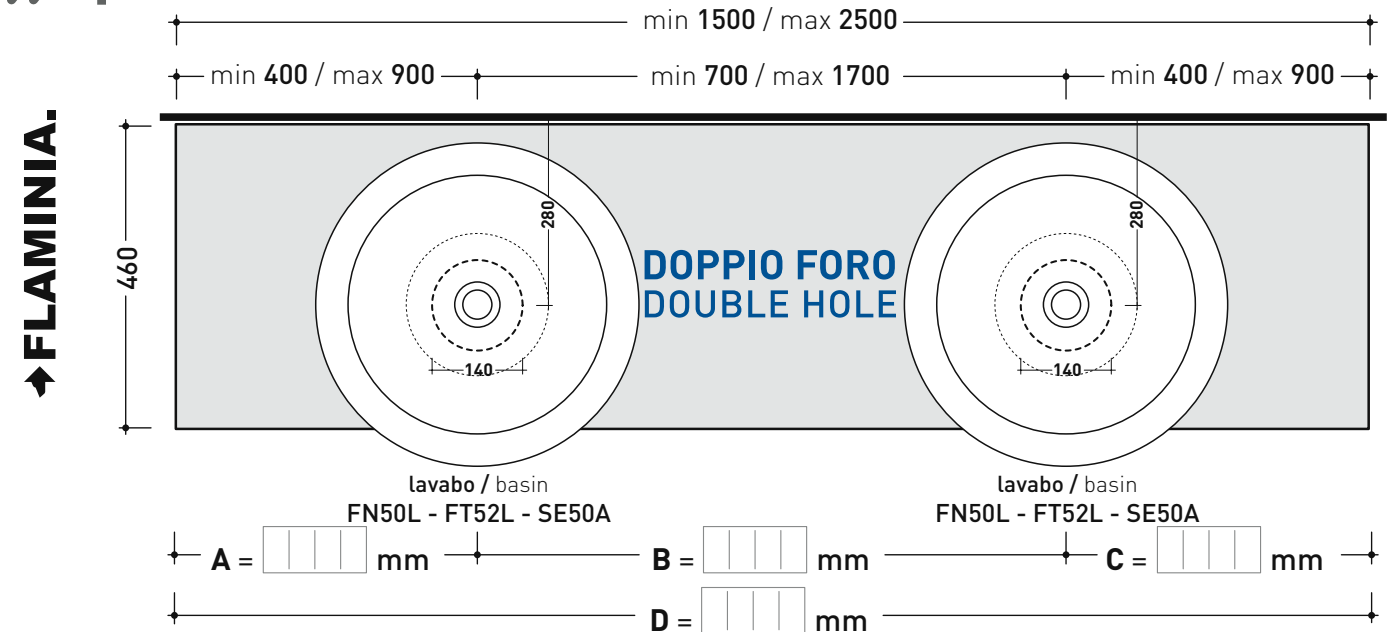
E' importante consultare prima la scheda tecnica relativa
It's important to consult before the technical detail

art. **F6FNT**
mensola / shelf da / from 150 a / to 250 cm

➔➔ **3** SCELTA MATERIALE / MATERIAL SELECTION

PIETRALUCE lucida / glossy		PIETRALUCE opaco / mat	
<input type="checkbox"/> bianco - white	<input type="checkbox"/> sabbia - sand	<input type="checkbox"/> argilla - argilla	<input type="checkbox"/> carbone - carbone
<input type="checkbox"/> grigio - grey	<input type="checkbox"/> nero - black	<input type="checkbox"/> latte - milky white	
<input type="checkbox"/> beige - beige	<input type="checkbox"/> rosso cuoio - red	<input type="checkbox"/> cenere - cenere	
<input type="checkbox"/> blu ultram. - marine blue			

➔➔ **4** SCELTA MISURE / MEASURES



- A = misura interasse lavabo da sinistra / left distance of basin.
- B = misura interasse lavabi / distance between basins.
- C = misura interasse lavabo da destra / right distance of basin.
- D = misura totale della mensola / total length of the shelf.
- verificare sempre che / verify that: **A + B + C = D.**