

2013

## EG203

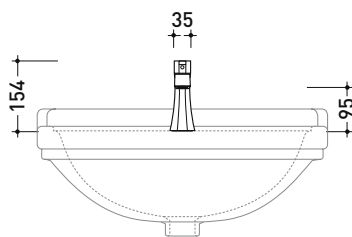
Single lever basin mixer (stop&go drain included)

Complements: Line accessories EVERGREEN

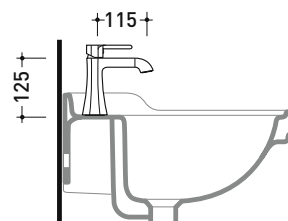
Package dim.

Weight 1,9 kg

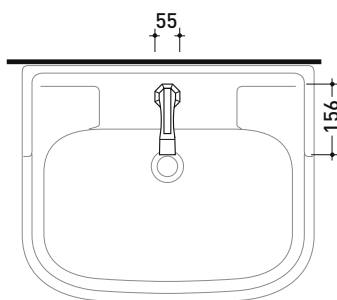
Pz. Pallet n° -



vista frontale / frontal view



vista laterale / lateral view



vista zenitale / zenital view

sizes in mm