

design PAOLA NAVONE

2011

BL56L Boll 56

Countertop basin 56 cm

• WITHOUT OVERFLOW • WITHOUT TAP LEDGE

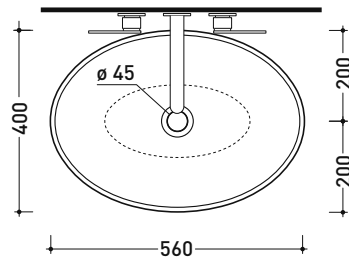
Complements: **FORTY6 shelf (F6BL)**
FILO 60 / 75 metal structure (FI60SV - FI75SC - DI75SC)
BOX wall hung vanity units depth 37 / 50 cm
CUBIKA wall hung vanity units depth 37 / 50 cm
DENVER furniture (DV103M)
Line taps basin: ONE - NOKÉ - SI - FOLD - X1
Line accessories: TWO - HOOP - NOKÉ - FOLD

Technical accessories: **Chrome siphon (SIFL/CR) - Telescopic chrome siphon (SIFL066)**
Stop & Go drain (PLSG)
CERAMIC Stop & Go drain (PLCE)
Chrome waste with automatic integrated overflow (PLTPCR)
Waste with automatic integrated overflow and ceramic cover (PLTPCE)
Two piece set chrome tap filters (RF026)

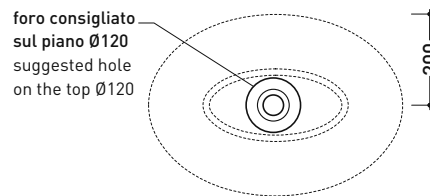
Package dim. 56,5 x 43 x 18,5 cm | Weight 10 kg | Pz. Pallet n° 24



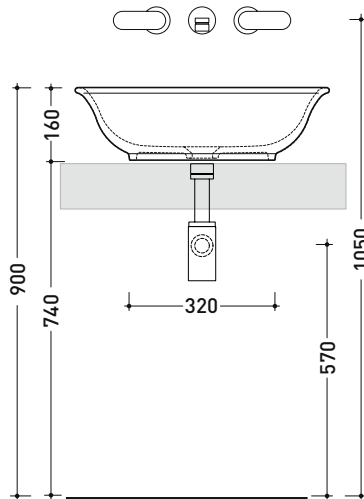
CE UNI EN 14688 - CL00 Dop-No14688



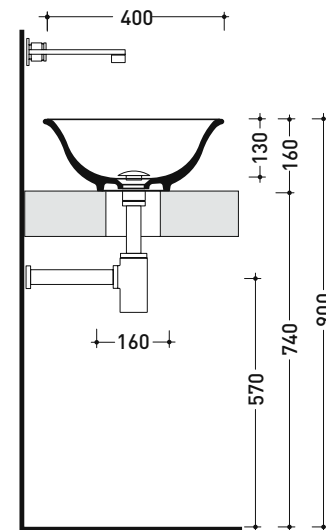
vista zenitale / zenital view



vista zenitale / zenital view



vista frontale / frontal view



sezione longitudinale / section

sizes in mm

CERAMIC: glossy finish



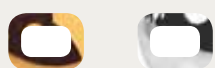
white black

matt finish



milky white carbone argilla nuvola fango rosso rubens petrolio

MEATL: glossy finish



white / gold white / platinum

Please consider a 2% tolerance on indicated measurements