

AP28G

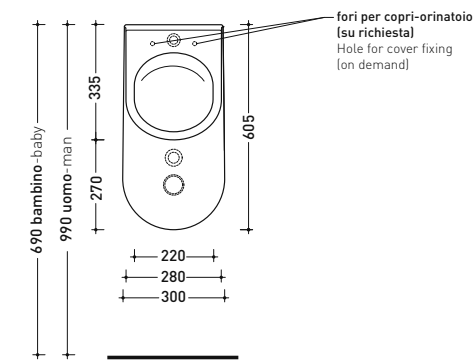
Wall-mounted urinal goclean (wall fixing kit art. 9007 and siphon art. KYCON included) **holes for cover upon request**

Complements: **thermosetting soft-closing cover suitable for urinal (AP28CW03)**
Ceramic cover suitable for urinal (CFCE)
One concealed automatic rapid-flow lever (112540)
Line accessories: TWO - HOOP - NOKÉ - FOLD

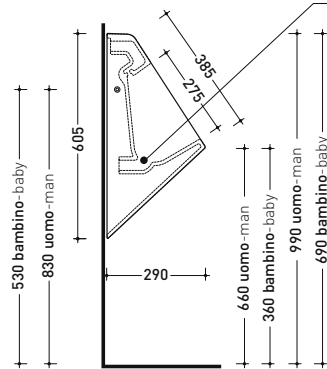
Technical accessories: **SANITARBLOCK pre-assembled frame for wall-hung urinal (136179)**
Concealed pre-installation for EQUA URINAL plate (879123)
EQUA URINAL AC infrared sensor fluxometer (879120)

Package dim. **cm** | Weight **17,5 kg** | Pz. Pallet n° **24**

CE UNI EN 13407 Dop-No13407



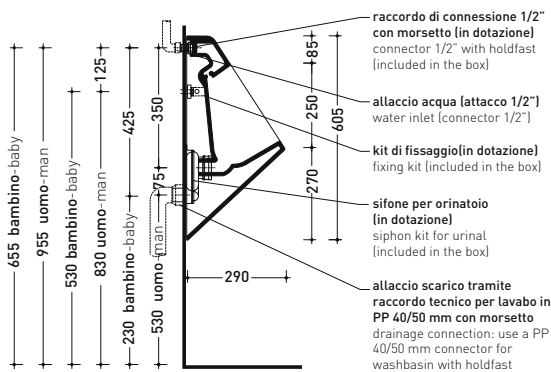
vista frontale / frontal view



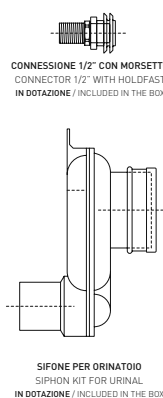
vista laterale / lateral view



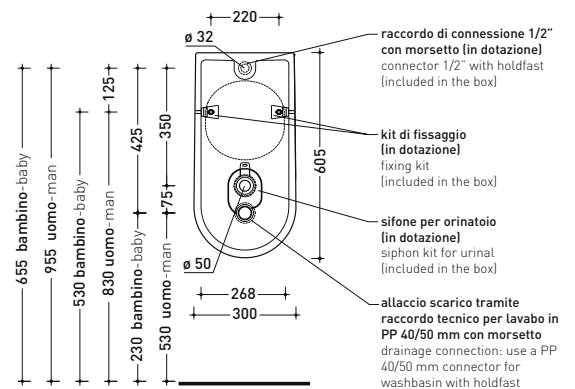
art. CFCE
Ceramic cover suitable for APP urinal (not included)



sezione longitudinale / section



SIFONE PER ORINATOIO
SIPHON KIT FOR URINAL
IN DOTAZIONE / INCLUDED IN THE BOX



vista retro/ back view

sizes in mm

CERAMICA: glossy finish



white

matt finish



milky white



carbone



cenere

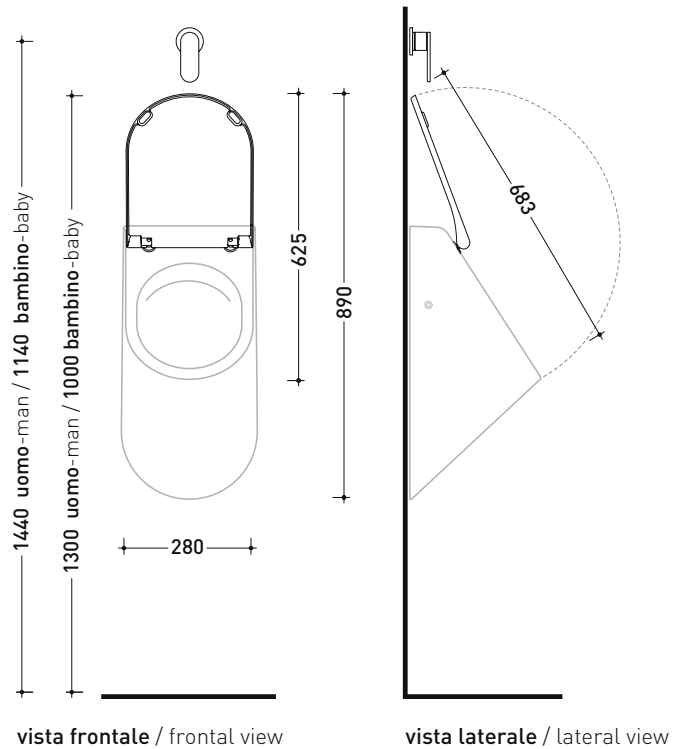
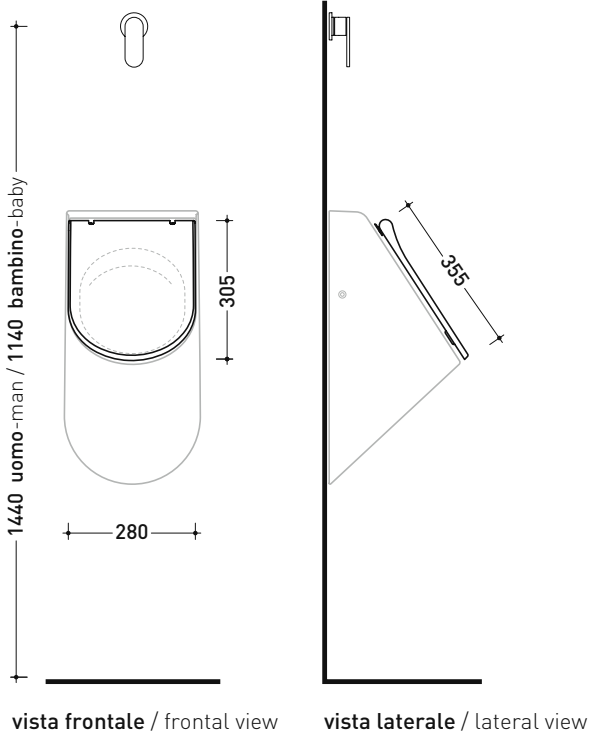
Please consider a 2% tolerance on indicated measurements

AP28CW03

Thermosetting soft-close cover suitable for urinal with **quick-release hinges**

Complements: App urinal (AP28G)

Package dim. **cm** | Weight **1,3 kg** | Pz. Pallet n° -



sizes in mm

THERMOSETTING: glossy finish



white

matt finish



milky white



carbone



cenere