

2020

601901

OLI74 PLUS MECHANIC SIMFLEX

Preassembled structure for setting in masonry walls with dualflush cistern (6/3 lt) suitable to wall hung wcs

INCLUDED

- 1 Flush pipe \varnothing 90 x 250
- 1 Seal for flush pipe \varnothing 125
- 1 Connecting pipe \varnothing 45 x 180
- 1 Pan rubber seal \varnothing 45
- 1 Protective box
- 1 G 1/2" stop valve
- 1 Protection sponge for the stop valve
- 1 Outlet bend \varnothing 90 / 90 L340
- 1 Adaptor \varnothing 90/110
- 1 Protection pipe \varnothing 90
- 1 Protection pipe \varnothing 45

COMPATIBLE WITH ALL FLAMINIA WALL-HUNG WC PANS

Package dim.

Weight 8 kg

Pz. Pallet n°

CE EN 14055 CL1

STRUCTURE:

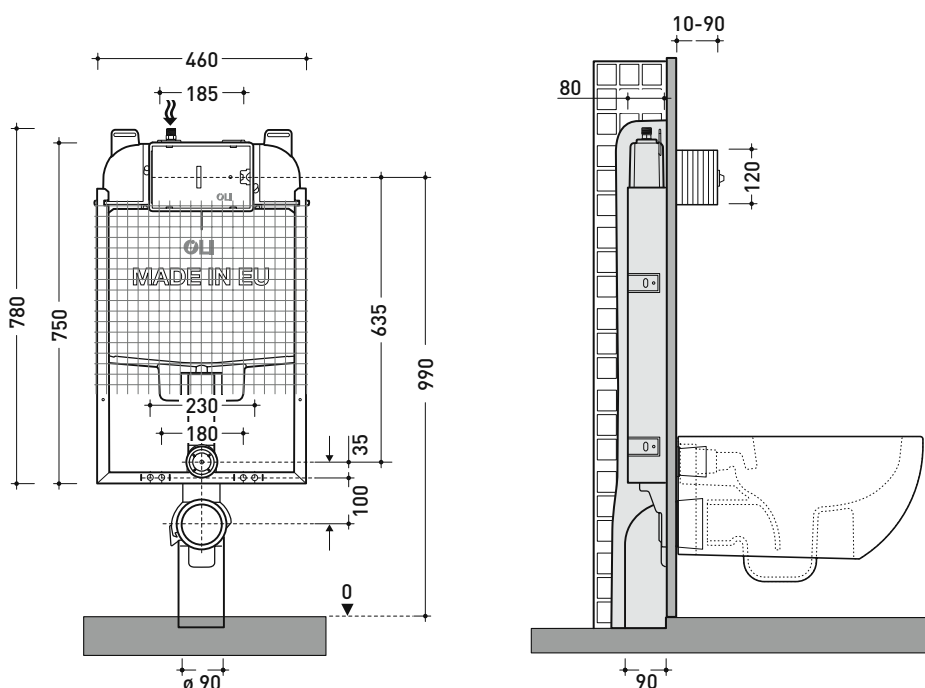
- Metal, galvanized, corrosion resistant

CISTERN

- Dual flush of 6/3 litres
- Mechanic actuation
- Working pressure from 0,1 to 16 bar
- Resistance to atmospheric humidity (Hr < 90%).
- Polypropylene (PP) cistern highly resistant and inalterable

to thermal stress

- Certified cistern according KIWA/SABS/SAI/WRAS/WSD/UPC standards
- Equipped with Azor Plus Inlet Valve, with delayed refilling (saves up to 9 litres of water per day) and silent according to the NF standard category Class I
- Supplied with anti-condensation lining
- "A" class for the Water Efficiency in compliance with the ANQIP Authority requirements



sizes in mm