

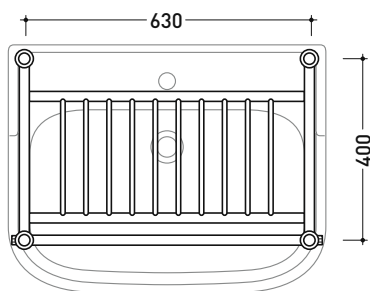
6016 Efi 70

Metal structure suitable for Efi 70 basin

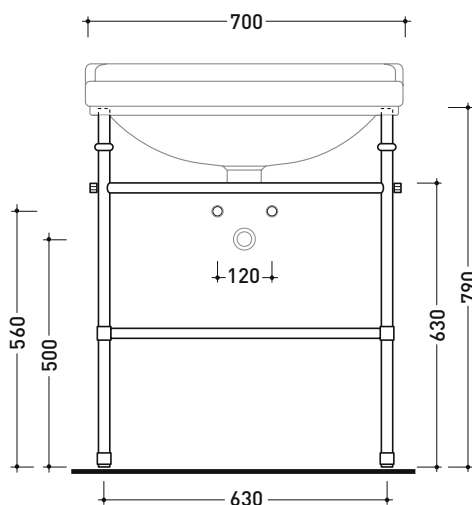
Complements: **Efi 70 basin (6006)**
Line taps basin: EVERGREEN
Line accessories: EVERGREEN

Technical accessories: **Chrome siphon (SIFL/CR) - Telescopic chrome siphon (SIFL066)**
Stop & Go drain (PLSG)
CERAMIC Stop & Go drain (PLCE)
Two piece set chrome tap filters (RF026)
Wall fixing kit (9002)

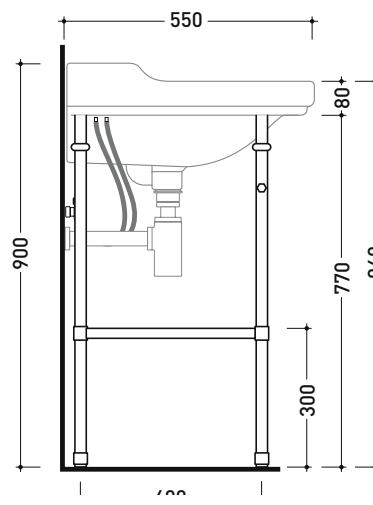
Package dim. structure	57 x 9 x 70 cm	Weight 17 kg	Pz. Pallet n° -
Package dim. basin		Weight 23 kg	Pz. Pallet n° 20



vista zenitale / zenital view



vista frontale / frontal view



vista laterale / lateral view

sizes in mm

Please consider a 2% tolerance on indicated measurements