

2020

601601

OLI74 PLUS MECHANIC

doubleflush cistern (6/3 lt) to be installed inside the wall and used in combination with floor standing sanitary applications

INCLUDED:

- 1 Flush pipe \varnothing 56 x 360
- 1 Seal for flush pipe \varnothing 40/45
- 1 Protective box
- 1 G 1/2" stop valve
- 1 Protection sponge for the stop valve
- 2 Metal plates for fixation
- 1 Discharge pipe protection cover in EPS

IDEAL FOR RENOVATION PROJECTS

Package dim.

Weight 4 kg

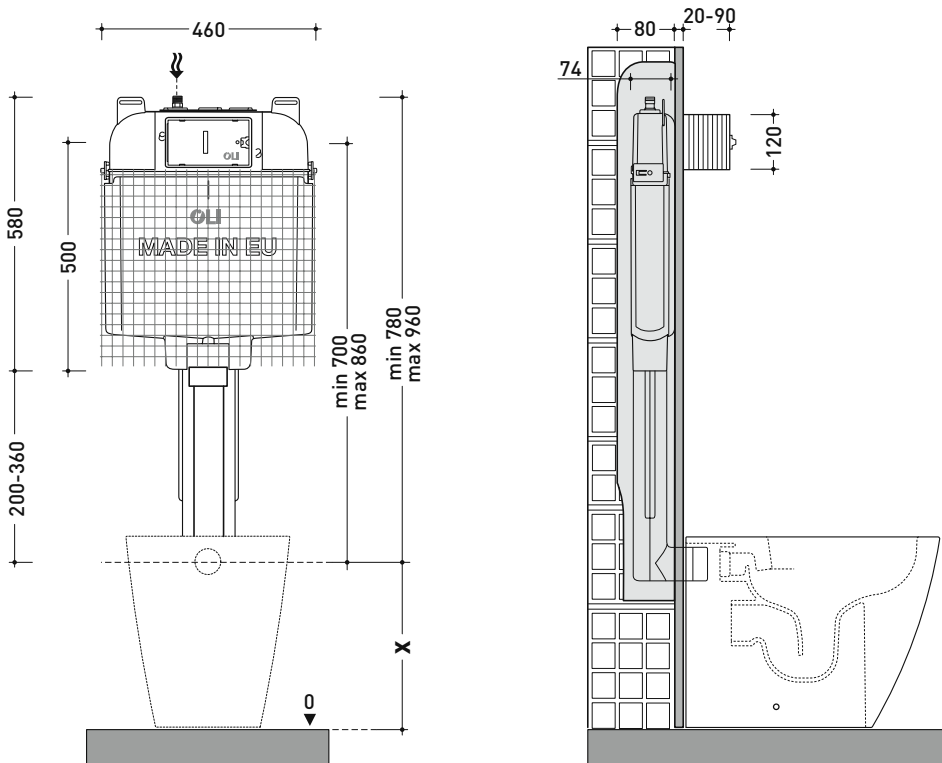
Pz. Pallet n°

CE EN 14055 CL1

CISTERN:

- Dual flush of 6/3 liters
- "A" class for the Water Efficiency in compliance with the ANQIP Authority requirements
- Certified cistern according KIWA/SABS/SAI/WRAS/WSD/UPC standards
- Equipped with Azor Plus Inlet Valve, with delayed refilling (saves up to 9 litres of water per day) and silent according to the NF standard category Class I
- Polypropylene (PP) cistern highly resistant and inalterable to thermal stress

- Reduced thickness to 80 mm
- Easy installation
- Simple accessibility for any maintenance
- Polystyrene coating to avoid condensation due to temperature variations between water temperature and environment
- Coating net that allows a better grip of the cement during the masonry phase
- Discharge pipe in Polypropylene (PP) coated with expanded polystyrene



sizes in mm