

design FLAMINIA DESIGN TEAM

1990

6006 Efi 70

Single-hole basin 70 cm suitable for pedestal

• with overflow • arranged for three holes tap

6009

Ceramic pedestal suitable for Efi 70 basin

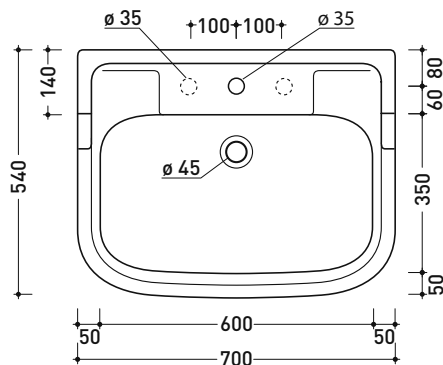
Complements: Line taps basin: EVERGREEN
Line accessories: EVERGREENTechnical accessories: Chrome siphon (SIFL/CR) - Telescopic chrome siphon (SIFL066)
Stop & Go drain (PLSG)
CERAMIC Stop & Go drain (PLCE)
Two piece set chrome tap filters (RF026)
Wall fixing kit (9002)

Package dim. basin | Weight 23 kg | Pz. Pallet n° 20

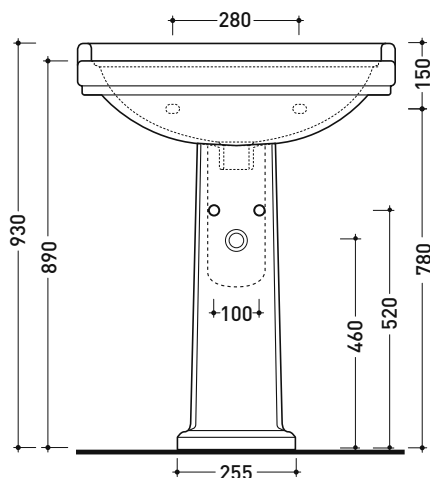
Package dim. pedestal | Weight 11,5 kg | Pz. Pallet n° 30



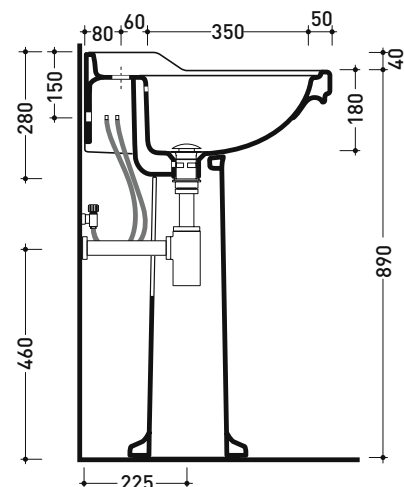
CE UNI EN 14688 - CL20 Dop-No14688



vista zenitale / zenital view



vista frontale / frontal view



sezione longitudinale / section

sizes in mm

Please consider a 2% tolerance on indicated measurements

design FLAMINIA DESIGN TEAM

1990

6007 Efi 64

Single-hole basin 64 cm suitable for pedestal

• with overflow • arranged for three holes tap

6009

Ceramic pedestal suitable for Efi 64 basin

Complements: Line taps basin: EVERGREEN
Line accessories: EVERGREEN

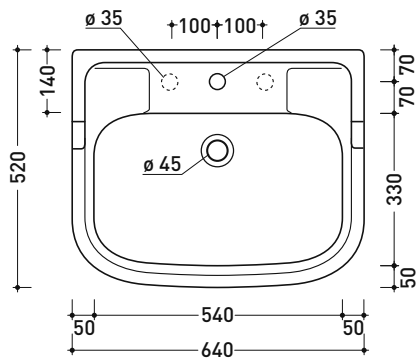
Technical accessories: Chrome siphon (SIFL/CR) - Telescopic chrome siphon (SIFL066)
Stop & Go drain (PLSG)
Ceramic Stop & Go drain (PLCE)
Two piece set chrome tap filters (RF026)
Wall fixing kit (9002)

Package dim. basin	Weight 21,3 kg	Pz. Pallet n° 24
--------------------	----------------	------------------

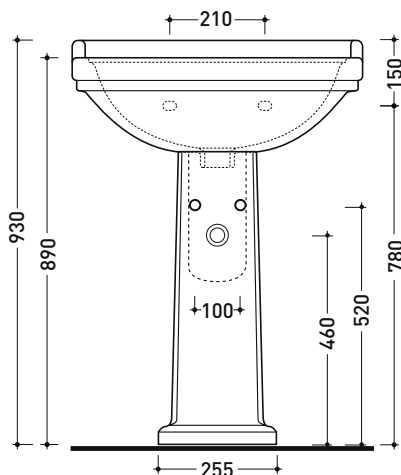
Package dim. pedestal	Weight 11,5 kg	Pz. Pallet n° 30
-----------------------	----------------	------------------



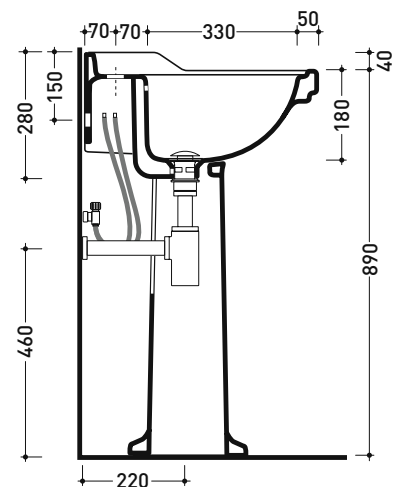
CE UNI EN 14688 - CL20 Dop-No14688



vista zenitale / zenital view



vista frontale / frontal view



sezione longitudinale / section

sizes in mm

Please consider a 2% tolerance on indicated measurements