

**6007** Efi 64**Wall hung single-hole basin 64 cm**

• with overflow • arranged for three holes tap

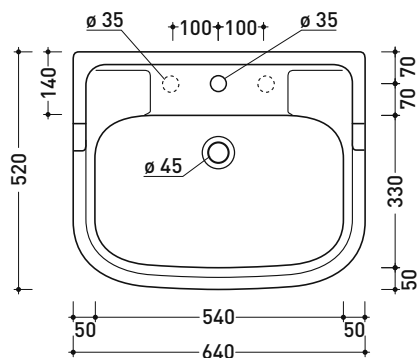
Complements: **Line taps basin:** EVERGREEN  
**Line accessories:** EVERGREEN

Technical accessories: **Chrome siphon (SIFL/CR) - Telescopic chrome siphon (SIFL066)**  
**Stop & Go drain (PLSG)**  
**Ceramic Stop & Go drain (PLCE)**  
**Two piece set chrome tap filters (RF026)**  
**Wall fixing kit (9002)**

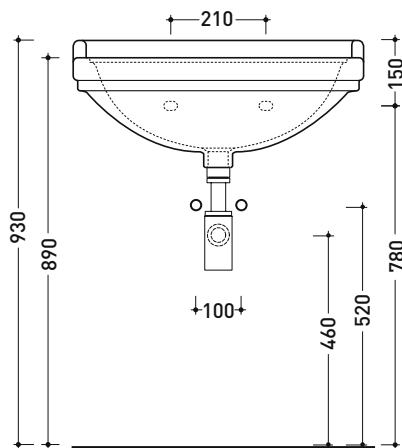
Package dim.

Weight **21,3 kg**Pz. Pallet n° **24**

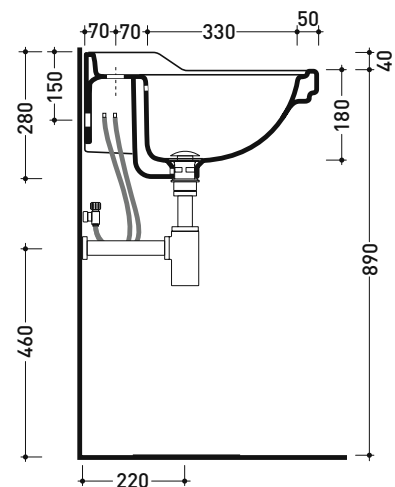
CE UNI EN 14688 - CL20 Dop-No14688



vista zenitale / zenital view



vista frontale / frontal view



sezione longitudinale / section

sizes in mm

Please consider a 2% tolerance on indicated measurements