

## 5082 Nuda 95

### Countertop - wall hung basin 95 cm

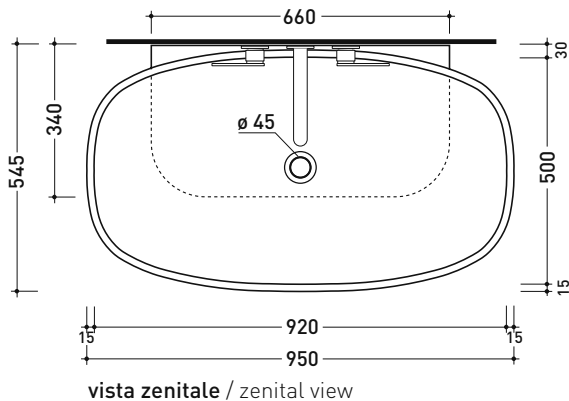
• without overflow • without tap ledge

Complements: FORTY6 shelf (F65082)  
 CUBIKA wall hung vanity units depth 50 cm  
 DENVER furniture (DV103M)  
 Line taps basin: ONE - NOKÉ - SI - X1 - STIL  
 Line accessories: TWO - HOOP - FOLD

Technical accessories: Chrome siphon (SIFL/CR) - Telescopic chrome siphon (SIFL066)  
 Stop & Go drain (PLSG)  
 CERAMIC Stop & Go drain (PLCE)  
 Chrome waste with automatic integrated overflow (PLTPCR)  
 Waste with automatic integrated overflow and ceramic cover (PLTPCE)  
 Two piece set chrome tap filters (RF026)  
 Fixing kit for wall (9002)

Package dim. 95 x 18 x 59,5 cm | Weight 30,3 kg | Pz. Pallet n° 10

CE UNI EN 14688 - CL00 Dop-No14688



foro consigliato sul piano ø 110  
 suggested hole on the top ø 110

