

## 5081 Nuda 85

### Countertop - wall hung basin 85 cm with tap ledge

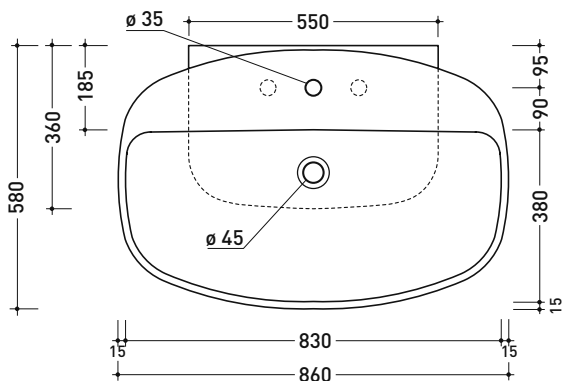
• with overflow • arranged for three holes tap

Complements: FORTY6 shelf (F68081)  
 CUBIKA wall hung vanity units depth 50 cm  
 DENVER furniture (DV103M)  
 Line taps basin: ONE - NOKÉ - FOLD - X1 - STIL  
 Line accessories: TWO - HOOP - FOLD

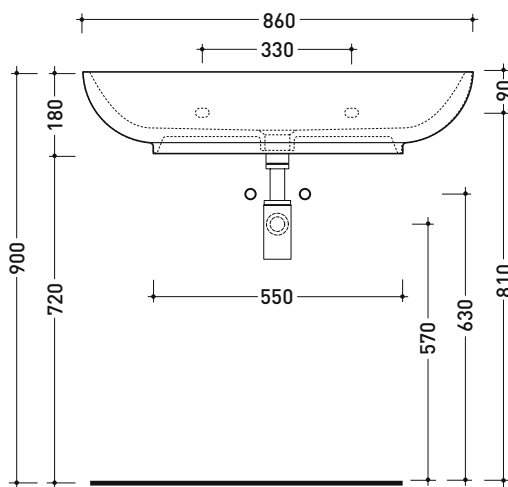
Technical accessories: Chrome siphon (SIFL/CR) - Telescopic chrome siphon (SIFL066)  
 Stop & Go drain (PLSG)  
 CERAMIC Stop & Go drain (PLCE)  
 Two piece set chrome tap filters (RF026)  
 Fixing kit for wall (9002)

Package dim. 87 x 18,5 x 59,5 cm | Weight 30,3 kg | Pz. Pallet n° 10

CE UNI EN 14688 - CL20 Dop-No14688

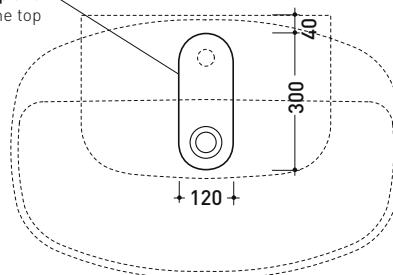


vista zenitale / zenital view

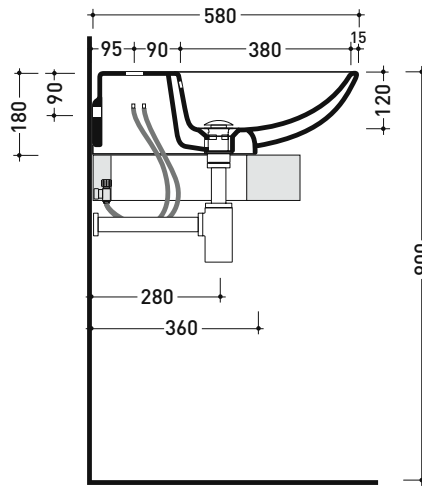


vista frontale / frontal view

foro consigliato sul piano  
suggested hole on the top



vista zenitale / zenital view



sezione longitudinale / section