

5052 Acquagrande 60

Countertop - wall hung basin 60 cm

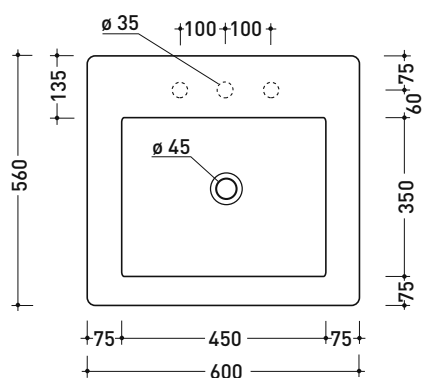
• with overflow • arranged for three tap holes

Complements: **Couple brackets (AQ04)**
Line taps basin: ONE - NOKÉ - SI - FOLD - X1 - STIL
Line accessories: TWO - HOOP - FOLD

Technical accessories: **Chrome siphon (SIFL/CR) - Telescopic chrome siphon (SIFL066)**
Stop & Go drain (PLSG)
CERAMIC Stop & Go drain (PLCE)
Two piece set chrome tap filters (RF026)
Fixing kit for wall (9002)

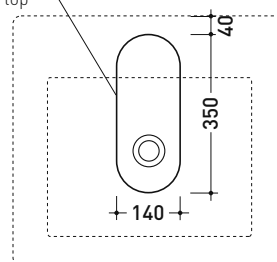
Package dim. 62,5 x 25 x 60 cm | Weight 32,5 kg | Pz. Pallet n° 12

CE UNI EN 14688 - CL20 Dop-No14688

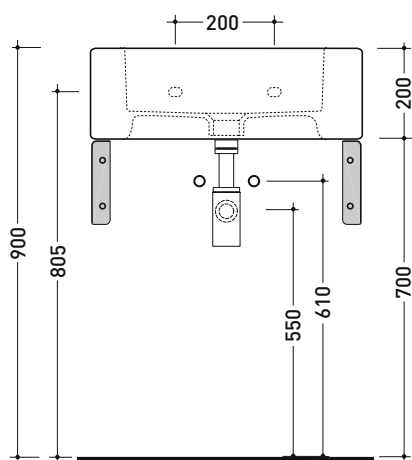


vista zenitale / zenital view

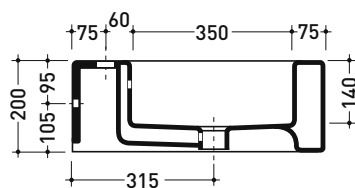
foro consigliato sul piano
suggested hole on the top



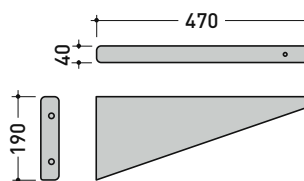
vista zenitale / zenital view



vista frontale / frontal view



sezione longitudinale / section



art. AQ04 (OPTIONAL)
staffe di sostegno / supporting brackets