

5051 Acquagrande 100

Countertop - wall hung basin 100 cm

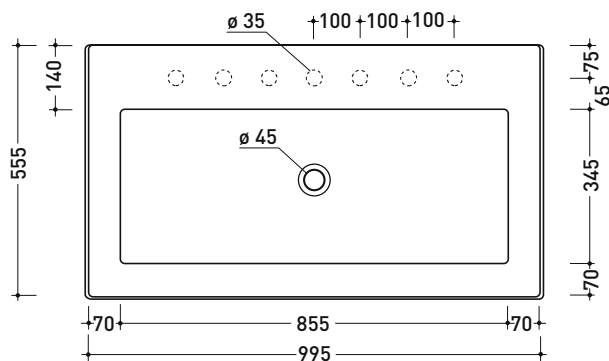
• with overflow • arranged for seven tap holes

Complements: Couple brackets (AQ04)
Line taps basin: ONE - NOKÉ - SI - FOLD - X1
Line accessories: TWO - HOOP - NOKÉ - FOLD



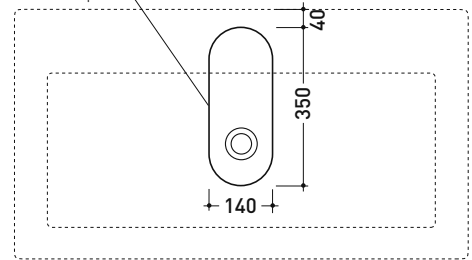
Package dim. 104 x 25 x 60 cm | Weight 57 kg | Pz. Pallet n° 8

CE UNI EN 14688 - CL20 Dop-No14688

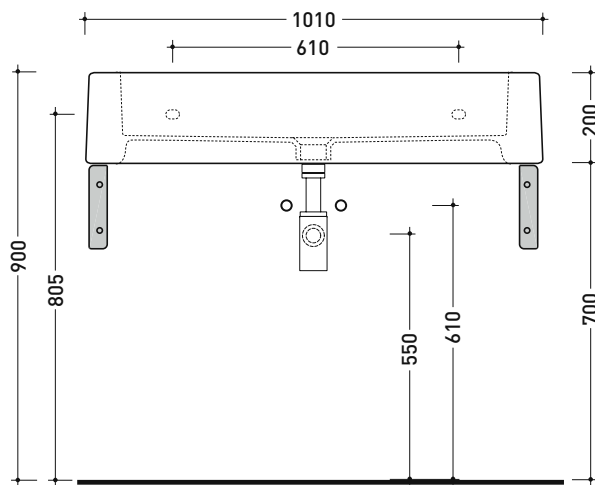


vista zenitale / zenital view

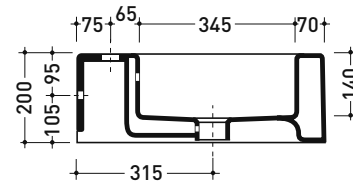
foro consigliato sul piano
suggested hole on the top



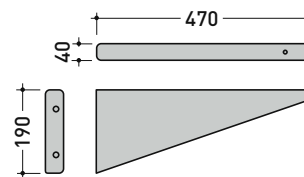
vista zenitale / zenital view



vista frontale / frontal view



sezione longitudinale / section



art. AQ04 (OPTIONAL)
staffe di sostegno / supporting brackets