

## 5051/INC Acquagrande 100

### Recessed basin 100 cm

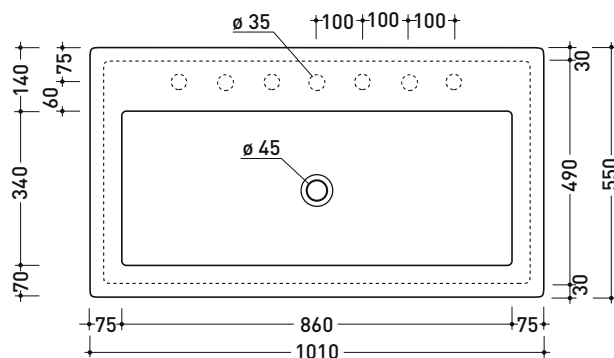
• with overflow • arranged for seven tap holes

Complements: **Line taps basin:** ONE - NOKÉ - SI - FOLD - X1 - STIL  
**Line accessories:** TWO - HOOP - FOLD

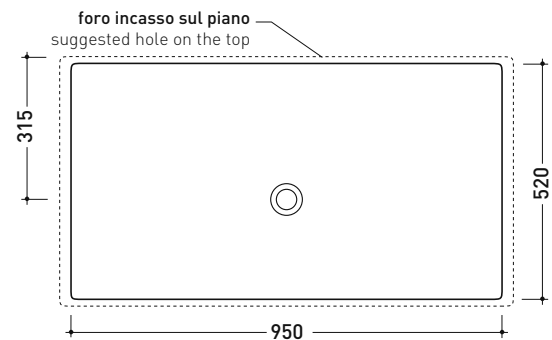
Technical accessories: **Chrome siphon (SIFL/CR) - Telescopic chrome siphon (SIFL066)**  
**Stop & Go drain (PLSG)**  
**CERAMIC Stop & Go drain (PLCE)**  
**Two piece set chrome tap filters (RF026)**

Package dim. 104 x 25 x 60 cm | Weight 41,5 kg | Pz. Pallet n° 8

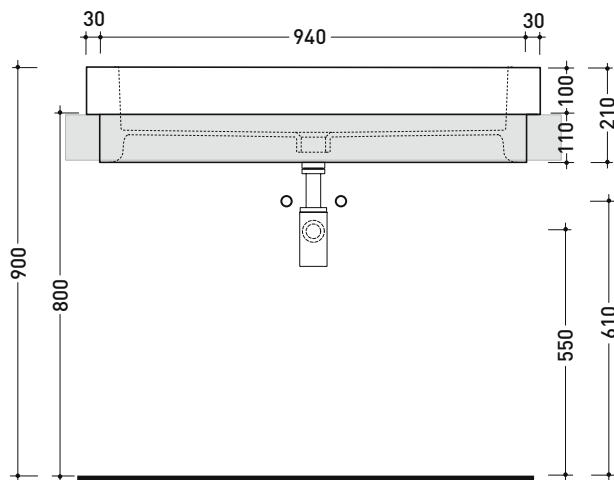
CE UNI EN 14688 - CL20 Dop-No14688



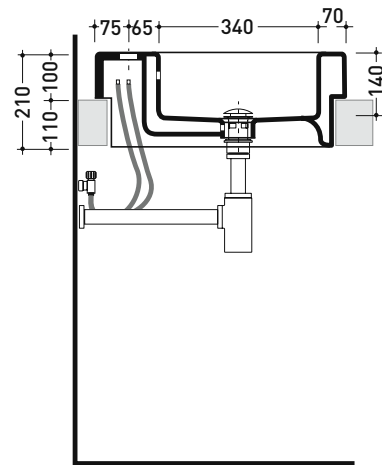
vista zenitale / zenital view



vista zenitale / zenital view



vista frontale / frontal view



sezione longitudinale / section