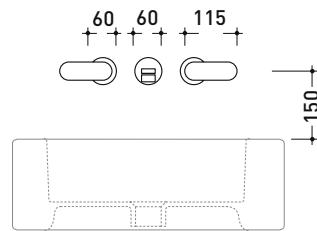


## 113060

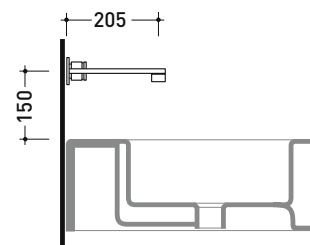
Wall-mounted double-lever basin mixer  
(chrome stop&go drain and built-in part included)

Complements: Line accessories: TWO - HOOP

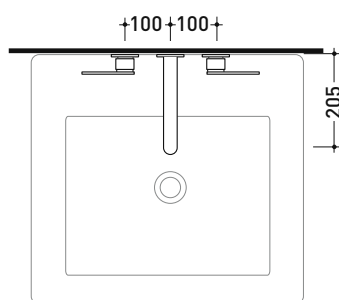
Package dim. 39 x 17 x 8 cm | Weight 2,8 kg | Pz. Pallet n° -



vista frontale / frontal view



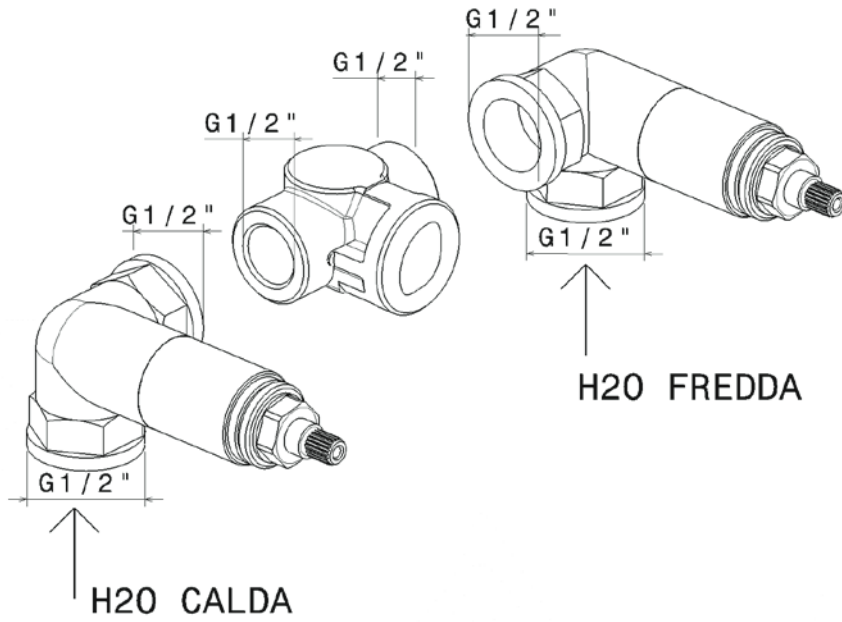
vista laterale / lateral view



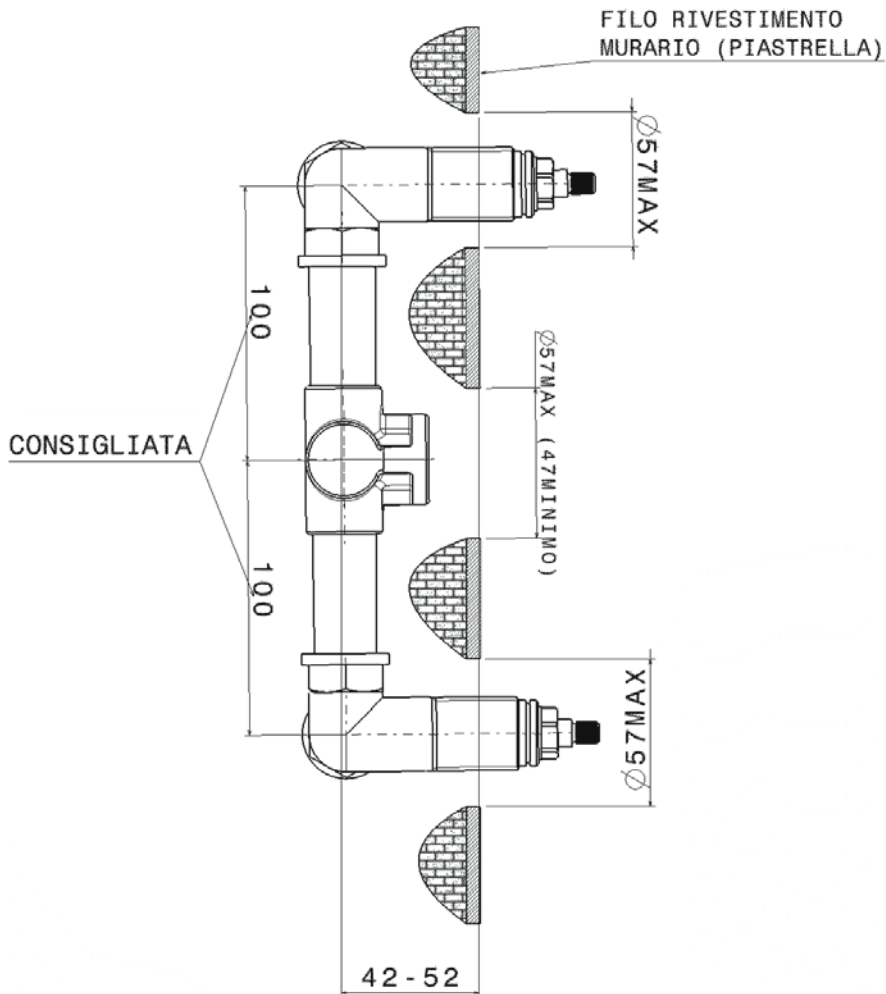
vista zenitale / zenital view

sizes in mm

art. 113060



VISTA DALL'ALTO



sizes in mm