

design **FLAMINIA DESIGN TEAM**

2017

X12081

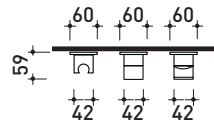
Shower set: concealed single-lever mixer, inverter and hand showerhand with support

Complements: wall mounted shower head Ø 200 mm (X12084)
wall mounted shower head Ø 300 mm (X13084)

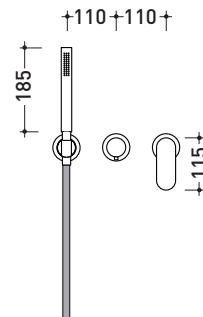
Package dim.

Weight 4,5 kg

Pz. Pallet n° -



vista zenitale / zenital view



vista frontale / frontal view

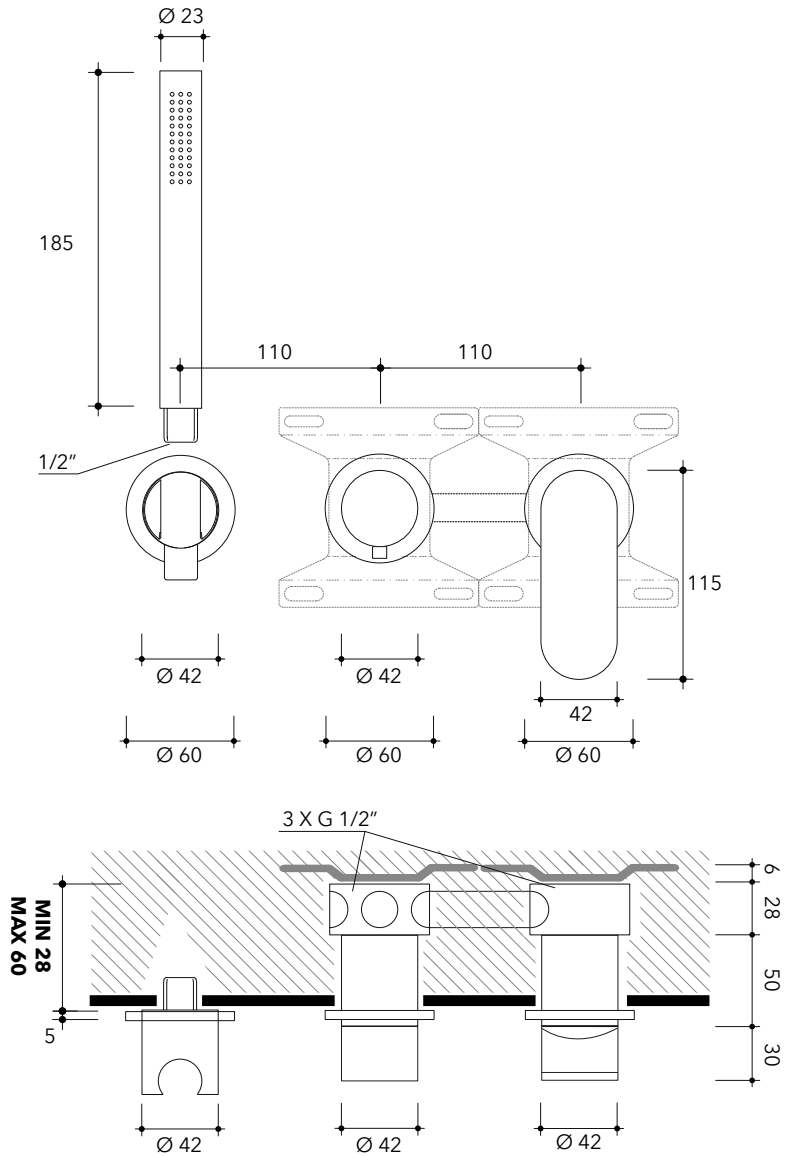
sizes in mm

STAINLESS STEEL



brushed

art. X12081



sizes in mm