

X1

FLAMINIA.

design FLAMINIA DESIGN TEAM

2017

X13059

Concealed single-lever basin mixer
(stop&go drain EXCLUDED)

Complements: stainless stell stop&go drain (PLX)

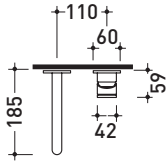


Package dim.

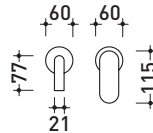
Weight 1,8 kg

Pz. Pallet n° -

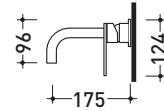
CE



vista zenitale / zenital view



vista frontale / frontal view



vista laterale / lateral view

sizes in mm

STAINLESS STEEL



brushed

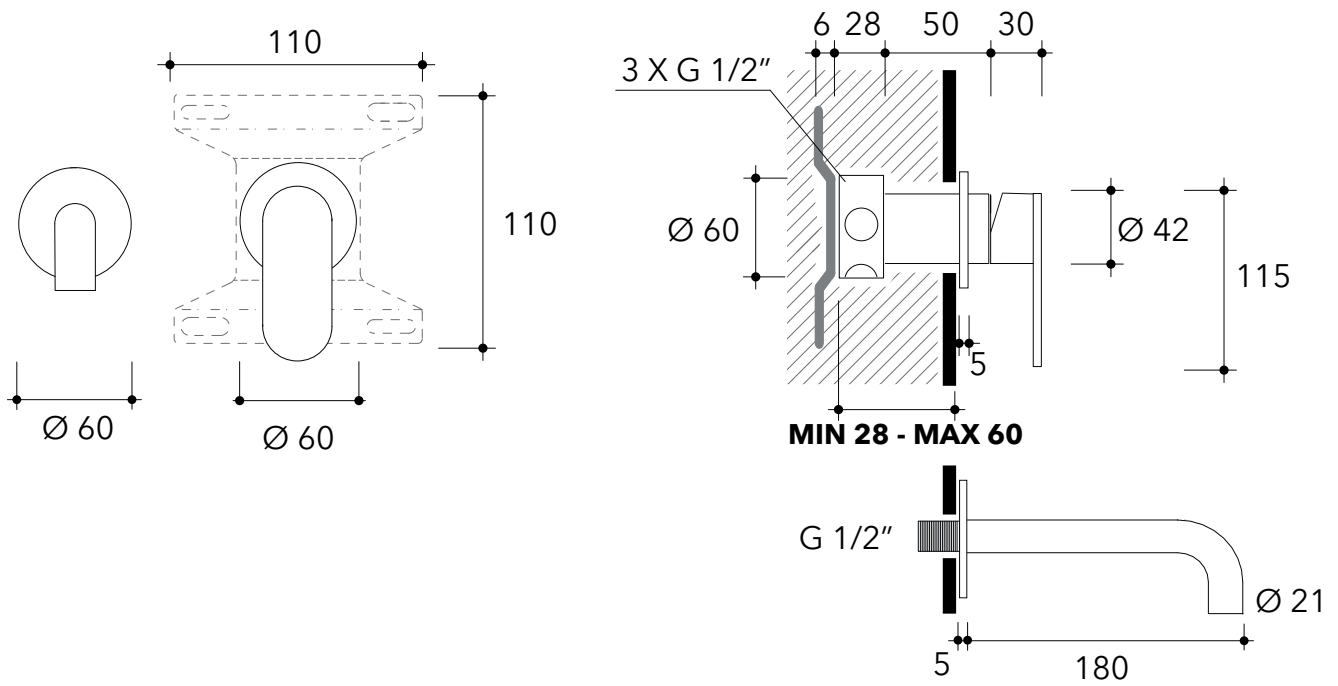
<http://www.ceramicaflaminia.it/en/products/343-x1>

©ceramicaflaminiaspa - All rights reserved. Unauthorized copying, publication, reproduction as well as partial reproduction are prohibited

july 2021



art. X13059



sizes in mm