

NDS90

WHILE STOCKS LAST

Reversible mirror 90x90 cm with integrated LED lighting

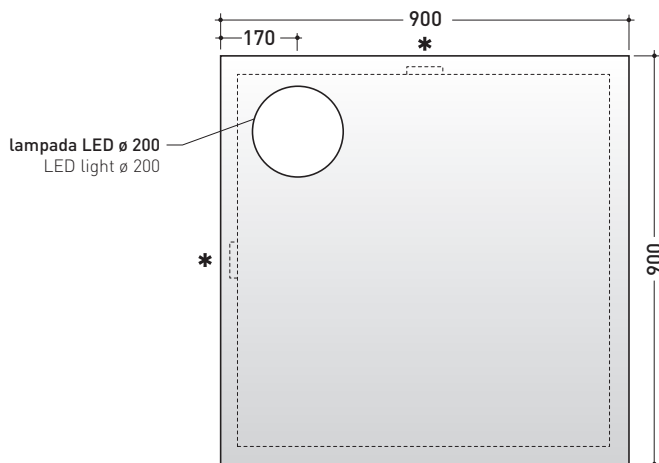
Complements: UNA - BOX - FILO furnishing
FORTY6 shelves

Package dim. 100 x 97 x 13 cm | Weight 16 kg | Pz. Pallet n° -



NDS90

* interruttore a sfioramento on/off
touch on/off switch



vista frontale / frontal view



vista zenitale / zenital view

sizes in mm

ELECTRICAL CHARACTERISTICS

- type of lamp: strip LED
- class: A
- Ip code: IP23
- rated power: 15 W