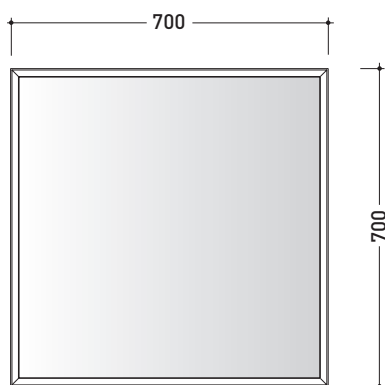


AP70

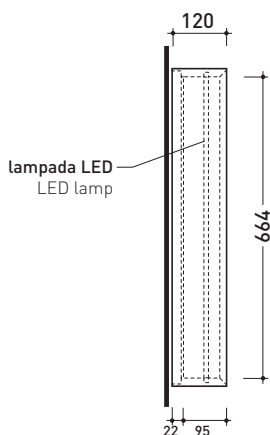
Mirror cm 70x70 with frame
and LED lighting on the inside edge

Complements: BOX furniture
FORTY6 shelves
FILO furniture

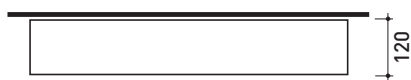
Package dim. cm | Weight 10,5 kg | Pz. Pallet n° -



vista frontale / frontal view



vista laterale / lateral view



vista zenitale / zenital view

sizes in mm

FRAME: matt finish



white



black

ELECTRICAL CHARACTERISTICS

- type of lamp: Strip LED
- class: A+
- Ip code: IP44
- rated power: 30/50 W