

## MA75L

Basin 75 cm wall hung - countertop - on pedestal installation

•WITH OVERFLOW •ARRANGED FOR 3 TAP HOLES

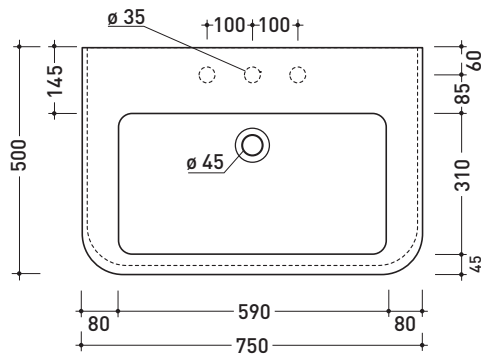
Complements: MADRE mirror (MASPE75)  
Line taps basin EVERGREEN - X1  
Line accessories EVERGREEN

Technical accessories: Chrome siphon (SIFL/CR) - Gold siphon (SIFDR)  
Stop & Go drain (PLSG)  
CERAMIC Stop & Go drain (PLCE)  
Two piece set chrome tap filters (RF026)  
Wall fixing kit (9002)

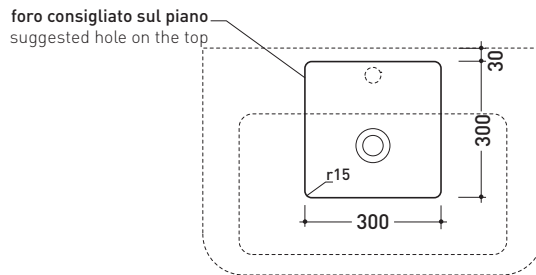
Package dim. | Weight **24,8 kg** | Pz. Pallet n°



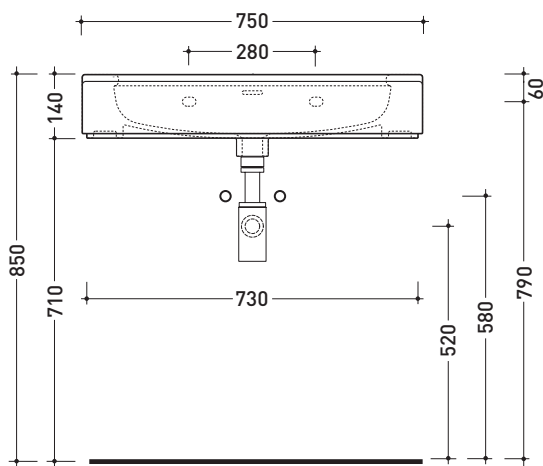
CE UNI EN 14688 - CL20 Dop-No14688



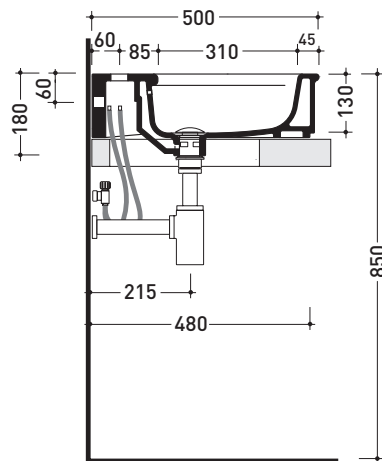
vista zenitale / zenital view



vista zenitale / zenital view



vista frontale / frontal view



sezione longitudinale / section

sizes in mm

Please consider a 2% tolerance on indicated measurements

CERAMIC: glossy finish



white black

matt finish



milky white graphite