

2013

EG200

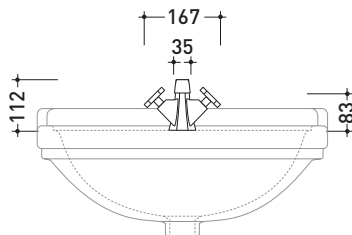
Double lever basin mixer (stop&go drain included)

Complements: **Line accessories** EVERGREEN

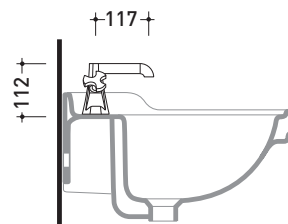
Package dim.

Weight **2,8 kg**

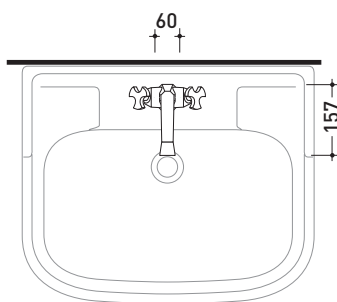
Pz. Pallet n° -



vista frontale / frontal view



vista laterale / lateral view



vista zenitale / zenital view

size in mm

october 2016

BRASS: glossy finish

chrome

gold

