

LK117RG + ERWCB

Back to wall wc PLUS* with S/P trap (floor fixing kit art. 9003 included)

* **WARNING:** bends and connectors are on demand

* **WARNING:** the hole for the bidet jet must be requested

Complements: Wood/polyester seat&cover (5051CW01)
Soft-closing thermosetting wrapping seat&cover (LKCW07)
SLIM soft-closing thermosetting seat&cover (LKCW09)
Line accessories: TWO - HOOP - NOKÉ - FOLD

Technical accessories:

- *Kit suitable for wall trap H 230 mm (LKR00)
- *Kit suitable for floor trap from 50 to 80 mm (LKR90)
- *Kit suitable for floor trap from 80 to 100 mm (LK8010)
- *Kit suitable for floor trap from 100 to 120 mm (LK1012)
- *Kit suitable for floor trap from 120 to 140 mm (LK1214)
- *Kit suitable for floor trap from 140 to 160 mm (LK1416)
- *Kit suitable for floor trap from 160 to 180 mm (LKR8S)
- *Kit suitable for floor trap from 180 to 200 mm (LK1820)
- *Kit suitable for floor trap from 200 to 220 mm (LK2022)
- *Kit suitable for floor trap from 220 to 330 mm (LK2233)

Package dim. 56,5 x 37 x 43,5 cm | Weight 32,5 kg | Pz. Pallet n° 15

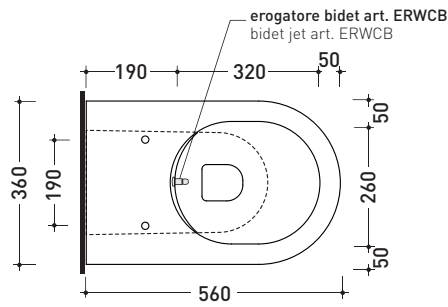


CE UNI EN 997

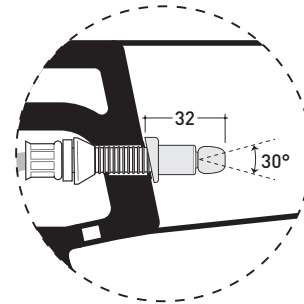
Dop-No997

pag. 1/2

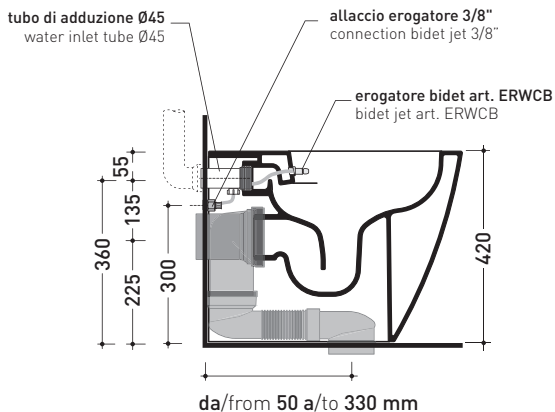
FLAMINIA does not recommend combining this toilet model with rapid-flow/flushometer systems or traditional high tanks



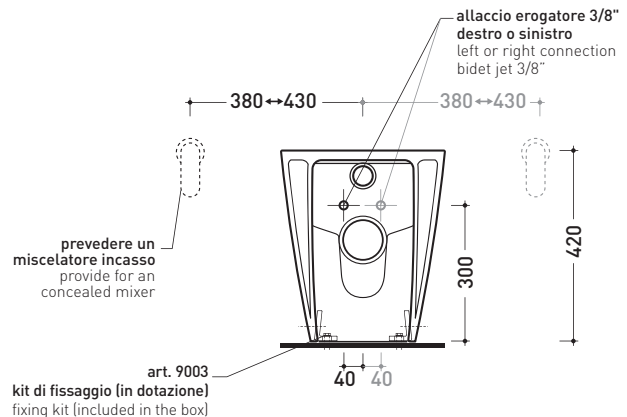
vista zenitale / zenital view



dettaglio erogatore / bidet jet detail



sezione longitudinale / section



vista retro / back view

sizes in mm

CERAMIC: glossy finish

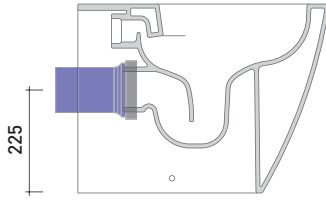


white

Please consider a 2% tolerance on indicated measurements

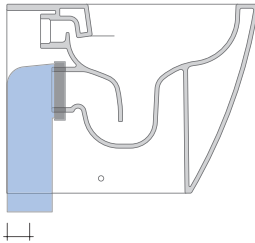
KIT SUITABLE FOR WALL TRAP

LKR00 (SET: LKR00)



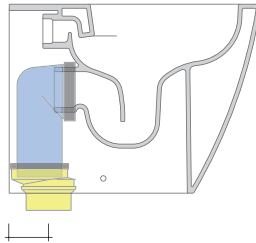
KIT SUITABLE FOR FLOOR TRAP

LKR90 (SET: LKR90)



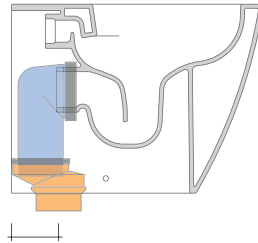
da/from 50 a/to 80 mm

LK8010 (SET: LKR90+LKR20)



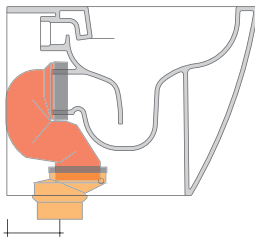
da/from 80 a/to 100 mm

LK1012 (SET: LKR90+LKR40)



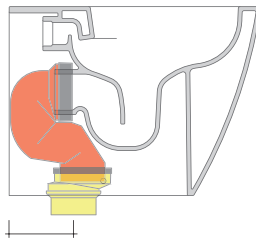
da/from 100 a/to 120 mm

LK1214 (SET: LKRS+LKR40)



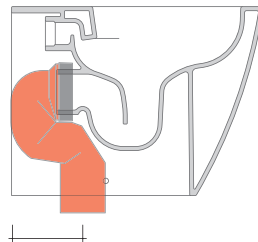
da/from 120 a/to 140 mm

LK1416 (SET: LKRS+LKR20)



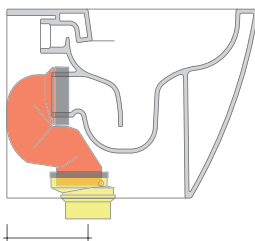
da/from 140 a/to 160 mm

LK1618 (SET: LKRS)



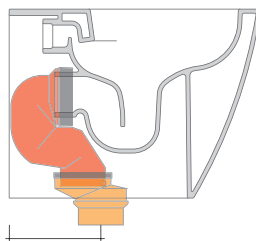
da/from 160 a/to 180 mm

LK1820 (SET: LKRS+LKR20)



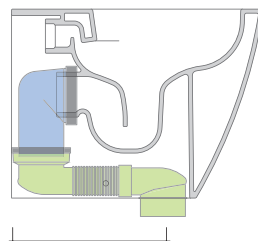
da/from 180 a/to 200 mm

LK2022 (SET: LKRS+LKR40)



da/from 200 a/to 220 mm

LK2233 (SET: LKR90+LKR33)



da/from 220 a/to 330* mm

WARNING: THE DRAINAGE CONNECTORS ARE NOT INCLUDED