

design FLAMINIA DESIGN TEAM

1990

6007 Efi 64**Wall hung single-hole basin 64 cm**

• WITH OVERFLOW • ARRANGED FOR THREE HOLES TAP

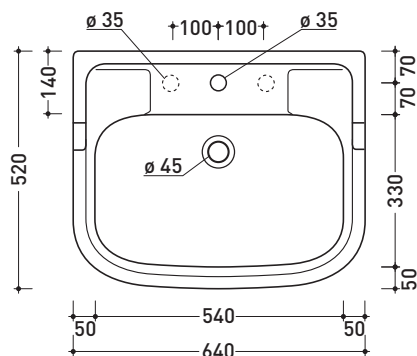
Complements: **Line taps basin:** EVERGREEN
Line accessories: EVERGREEN

Technical accessories: **Chrome siphon (SIFL/CR) - Telescopic chrome siphon (SIFL066)**
Stop & Go drain (PLSG)
Ceramic Stop & Go drain (PLCE)
Two piece set chrome tap filters (RF026)
Wall fixing kit (9002)

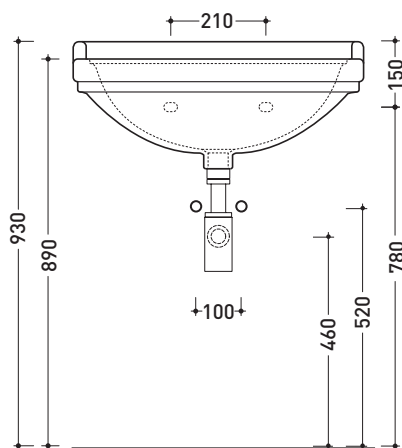
Package dim.

Weight **21,3 kg**Pz. Pallet n° **24**

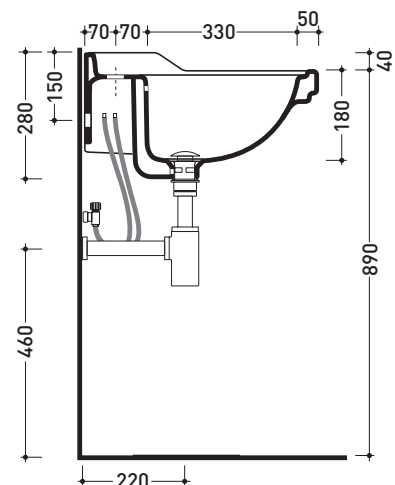
CE UNI EN 14688 - CL20 Dop-No14688



vista zenitale / zenital view



vista frontale / frontal view



sezione longitudinale / section

sizes in mm

CERAMIC: glossy finish



white



black

matt finish



milky white

Please consider a 2% tolerance on indicated measurements